



- BESPOKE DESIGN AND BUILD ■ FULLY AUTOMATIC LABELLING SYSTEMS ■ SEMI AUTOMATIC APPLICATORS
- PRINT AND APPLY UNITS ■ DESK TOP PRINTERS AND INLINE CODERS ■ LABELS AND CONSUMABLES
- CONTRACT LABELLING ■ SERVICING AND CONTRACTS ■ RENTALS

Linerfree / Linerless Print & Apply Systems

- No waste, 100% usage of paper
- Up to 60% more paper on the rolls provide 60% more operating time
- Up to 30% reduction on total labelling cost
- Increased print head life up to 50% longer
- Change label length and format without changing the label reel
- Reduction of the carbon footprint
- Reduction of landfill tax on disposable waste



Atwells Linerfree®/Linerless systems - labelling without liner/backing paper Atwells Linerfree®/Linerless technology provide unique logistical advantages as they eliminate handling costs on the production line and increase efficiencies significantly. Furthermore, increased production efficiencies are achieved as the label rolls contain twice as much paper making it ideal for continuous production lines.

Users of Atwells Linerfree®/Linerless systems are achieving a number of significant advantages in relation to environment, reduction of operating costs, flexibility and logistics.



Linerfree / Linerless Print & Apply Systems

TECHNICAL SPECIFICATION

ATWELL LINERFREE® PRINTER, 203 DPI

Resolution.....203 dpi / 8 dots pr. mm
 Print speed.....51 - 304 mm/sek.
 Feed rate.....51 - 304 mm/sek.
 Print width.....104 mm
 Label width.....25 - 118 mm
 Print length6 - 150/350 mm
 Label length.....50 - 50-150/350mm

ATWELL LINERFREE® PRINTER, 300 DPI

Resolution00 dpi/12 dots pr. mm
 Print speed.....50 - 254 mm/sek.
 Feed rate.....50 - 254 mm/sek.
 Print width.....105,7 mm
 Label width.....25 - 118 mm
 Print length6 - 150/350 mm
 Label length.....50 - 50-150/350 mm

ATWELL LINERFREE® APPLICATORS:

Dispenser module.....150 mm/350 mm
 Pneumatic applicator-
 stroke length.....200 mm
 Hand mounting unit

STRUCTURE

Print technology.....Direct thermal transfer
 Forward stroke motorStepper motor
 Right/left usageBoth
 Run-out alarmLabel-run out alarm

OPERATION

Display.....LCD display with back light
 Keyboard.....Function keys
 Language.....GB, D, NL, F, I, DK

INTERNAL CONTROL

ControlMicroprocessor
 Serial4 x RS 232, 1 x RS 422,
 1 x RJ 785

MACHINE SPECIFICATIONS

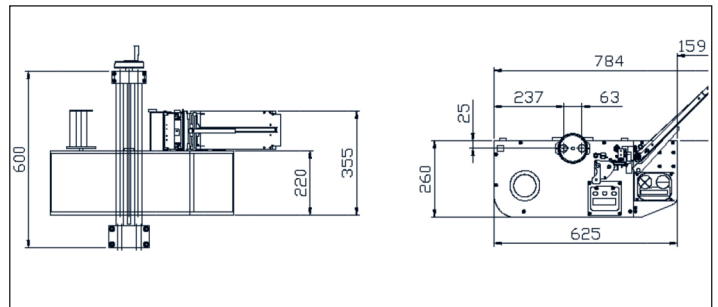
MaterialAnodized aluminium and
 stainless steel
 IP-fatigue limit.....Dispenser IP 32
 Dimensions (HxWxD).....478 x 355 x 784 mm
 Weight (approx.).....15kg, steering box 10-15kg
 Voltage/output230 V / 200 W
 Certifications.....CE

OPTIONS

Ethernet.....10/100 mb network card
 MCLPrinter as independent
 communicating unit
 Software.....Code soft

ATWELL LINERFREE® PAPER

Standard width (Stock).....49, 70, 98 mm
 Standard colour (Stock).....White
 Special colour/Logo: Please contact us for further info



Produced under strict quality control, Atwell Linerfree® thermal paper is coated on both sides, and the adhesive and silicone are developed to achieve a self-cleansing effect. These facts combined ensure that Atwell Linerfree® paper offers the highest possible level of print quality and dependability

We reserve the right to make changes
 ALL IPR RESERVED BY HM SYSTEMS

As part of our continuing policy of improvement we reserve the right to change this specification without notice.

Atwell
 self-adhesive Labellers

Designed For
 Your Application

Whatever you produce,
 Our machines will label it

- Labelling Systems
- Labels & Consumables
- Contract Labelling

