

TXL Series Fully automatic and accurate banding

The Bandall TXL Series differs from other Bandall Series by having conveyor belts both above and below the product to be banded, gripping the product gently but firmly.

This makes the machine extremely suitable for the fast and accurate transportation and banding of, for example, punnets, boxes and trays. Often used for biscuits, frozen products, salads and ready meals. Or perhaps for tamper evident packaging of say electronics, automotive parts, etc.



Fully automatic and speedy banding? Allow us to demonstrate what Bandall banding can do for you and your product

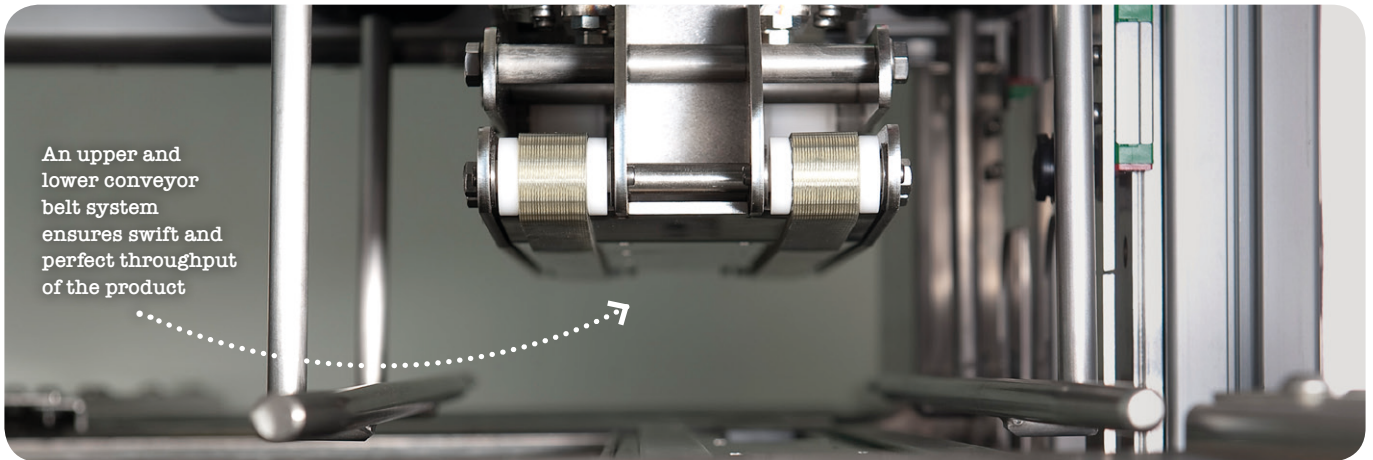


Immediate benefits

- › **Designed especially for swift banding** of products with flat top and bottom surfaces
- › **Rapid transport and banding process** in one straight line
- › **Several bands per product optional**
- › **Simple and fast conversion to another product**
- › The position of the product in the arch is variable, allowing **choice of band positions on the products**
- › **Smooth transition from existing transport system** or from an optional infeed conveyor

The TXL Series is extremely suitable for punnets, boxes and trays. Often used for biscuits, salades or ready meals

Bundled Benefits



- › *Fast and consistently accurate*
- › *Reliable*
- › *Tamper evident packaging*
- › *User friendly*
- › *Environmentally friendly*
- › *Quick return on investment*

Considerable savings
on packaging materials!

Combine Bandall TXL bands with printing options

The TXL-Series can be fitted with various types of printers to print product information on your pre-printed band during the banding process. Such as batch numbers, barcodes, shelf life information, nutritional values, etc.

- › **Data printing in multiple positions** on a pre-printed band
- › **Print area on the band is unlimited**
- › **Printing does not affect the speed** of the banding process
- › Operating the printer is **very straightforward**



How does the Bandall TXL Series work?

The product to be banded is transferred from an existing conveyor system connected to the TXL. Or via an optional driven conveyor. The heart of the installation is a fully automatic Bandall banding unit. The product is automatically transferred by the Servo-driven in-feed and conveyor system.

Conveyor belts “sandwich”

This system consists of two parts: An upper and lower conveyor belt system. These belts are driven by separate Servo motors, and are synchronized by one common control. The product to be banded is transported between these two conveyors into the banding arch.

Smart detection optimises process and energy use

Once the product has been transported into the arch the conveyors stop and the product is banded. After banding the out-feed conveyor starts and the product is transported forwards via the driven rollers. The TXL can also exchange signals with installations before and after in line. The output is faster than the input. As a result space is created between the banded product and the next product.

- › *Very reliable with long life cycle*
- › *Suitable for demanding production environments*
- › *Very swift and energy-efficient*

The TXL-Series can be fitted with various types of printers to print variable product information



The product to be banded can be transferred from an existing conveyor system or from an optional conveyor



The standard in fully automatic banding

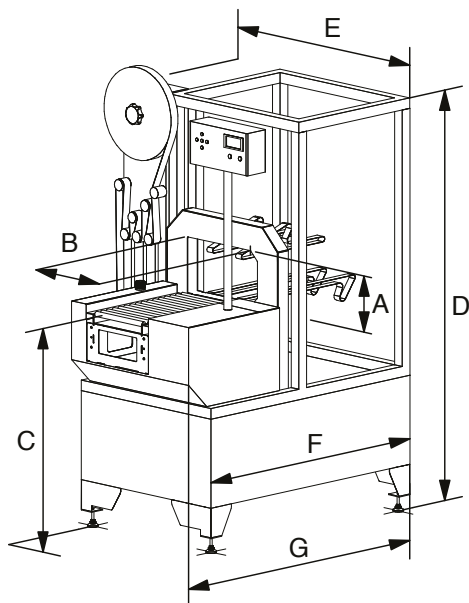
The Bandall TXL Series is a development based on the advanced vacuum band feed system that is in all Bandall equipment. Bandall machines are unique in processing material from just 35 micron.

Bandall TXL-Series features

- › **Fully adjustable** height and width of the conveyor belt system
- › Guides are adjustable, fully independently of the conveyor systems, enabling **optimal and swift transport of the product into the banding unit**
- › **Fully adjustable belt tension**
- › **Energy saving technologies** thanks to product detection
- › **Simple language-free touch screen operation and control panel**
- › **driven outfeed conveyor**
- › **the control is in an IP65 casing**
- › standard coated steel, **optional SS304**



All TXL models are equipped with an External Reel Holder



MACHINE TYPE	A Max. prod. height	B Max. prod. width	C* Work height	D* Total height	E Width	F Base depth	G** Depth	*** Bundles/min.
TXL 240	150	240	900	1605	900	1040	1143	28
TXL 320	200	320	900	1605	900	1040	1143	28

Dimensions are in mm.
At your request we will be happy to provide you with a specified proposal with complete technical specifications.

Available in various standard arch sizes. Standard channel widths suitable for banding materials of 28mm, 40mm, 48mm, 60mm, 75mm, 100 mm and 125 mm wide.

* Standard height can vary by -18 and +40 mm if required. Different heights are optional.

** Where the channel width is 30mm G is 1143. Where the channel width is 50mm G is 1163. Where 77mm G is 1190 and where 102mm G is 1215.

*** Depending on the product.

EE:OE

bandall[®]
THE STANDARD IN BANDING