

Stand Specification

Bronze Stand

Show Name: Digital Accountancy 2026

Show Location: Excel

Show Date: 7th - 8th October 2026

Stand Size: 2m(w) x 2m(l) x 2.5m(h)

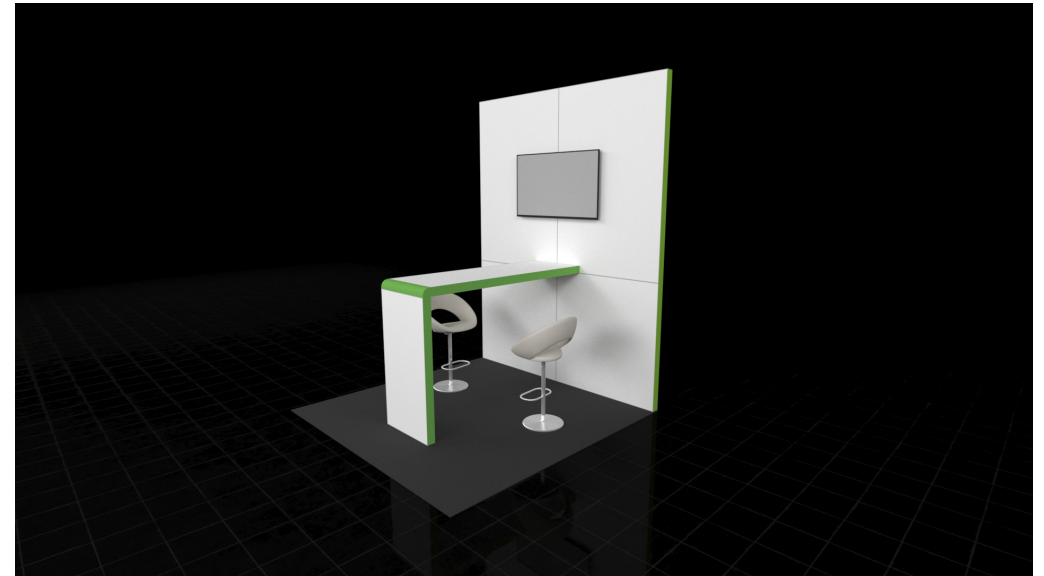
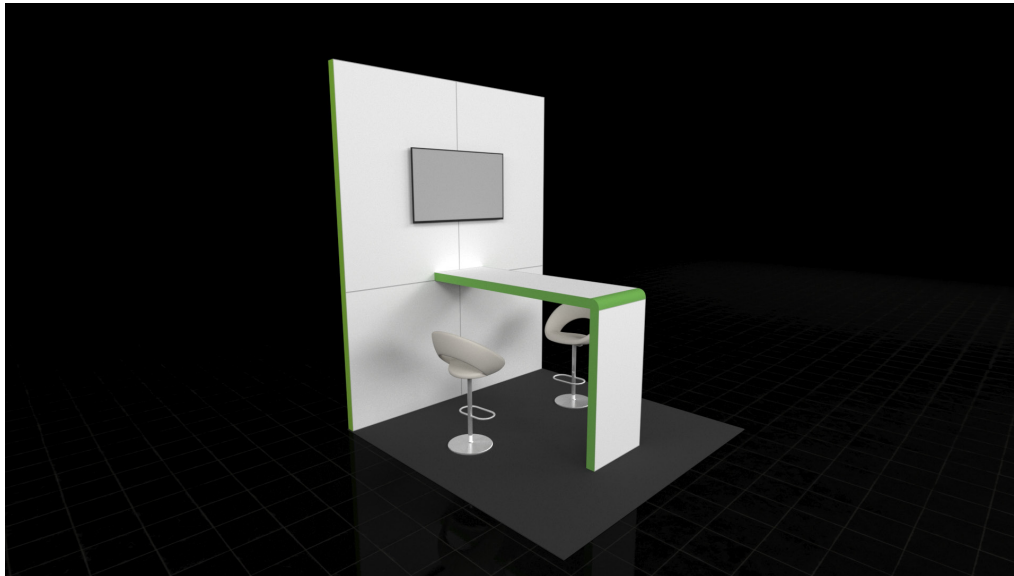
Flooring: Venue Flooring

Maximum Stand Height: 2.5m

Rear of Stand: N/A

File Generation: (Please create artwork files to the following specification)

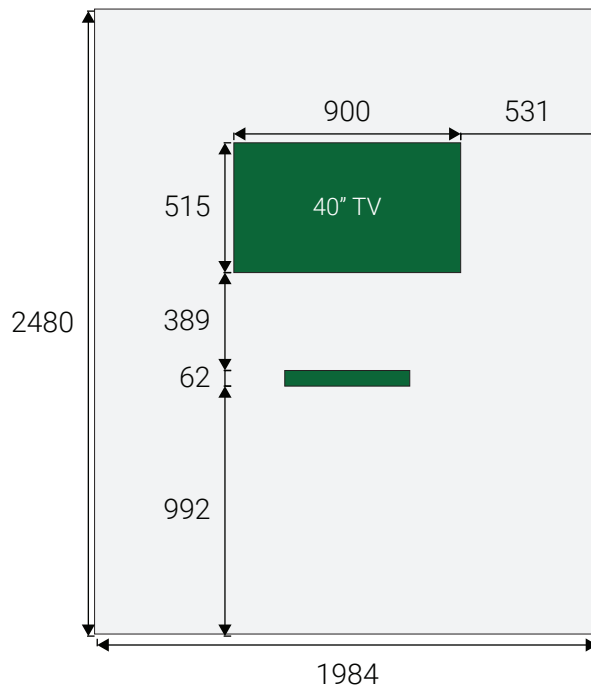
1. Colour Settings. Save your files as CMYK. Our printers print in CMYK mode, meaning if you save as RGB or another setting you may see a shift in colour.
2. DPI and resolution settings. Save your files as 150dpi at 100% size 300dpi at 50% size and 600dpi at 25% size.
3. Font embedding. Either embed fonts or as we prefer, convert all fonts to outlines. This will prevent any font substitution.
4. Proofs. Please proof read your file before uploading. We cannot check for spelling mistakes however we do scan for obvious errors. Uploaded files are treated as final and print-ready.
5. File formats. We can print most files however we prefer print ready .PDF's.
6. Bleed, print and crop marks. Add up to 10mm bleed, no print or crop marks though please.
7. Placed images at 100%. Please check all images at 100% for any upscaling pixelation.
8. Uploading files. Please email if under 10mb, if over please upload via a transfer site such as wetransfer.



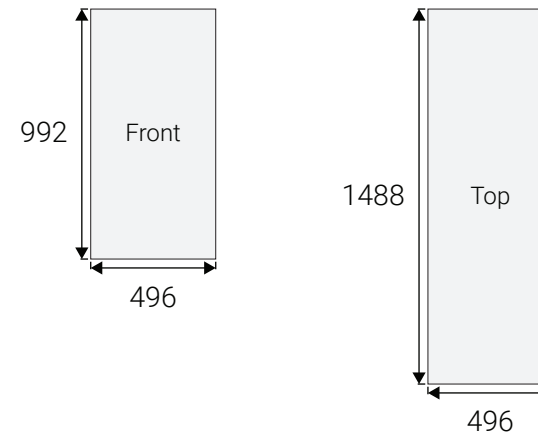
Dimensions & Obstructions

* Please take note of all obstructed areas of the stand to ensure text and/or important graphic elements are not cut off.

Back Wall



Integrated Desk



Scale 1:30
(All measurements are in mm)