

## Frames & Garlands



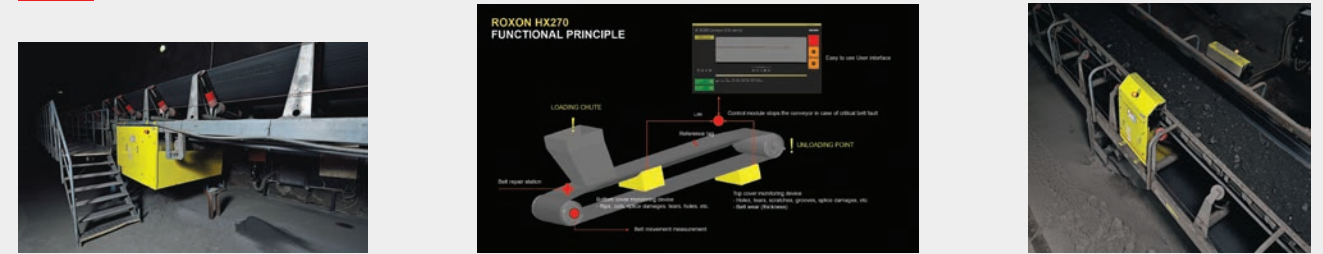
## Pulleys & Drums



## Belt Cleaners



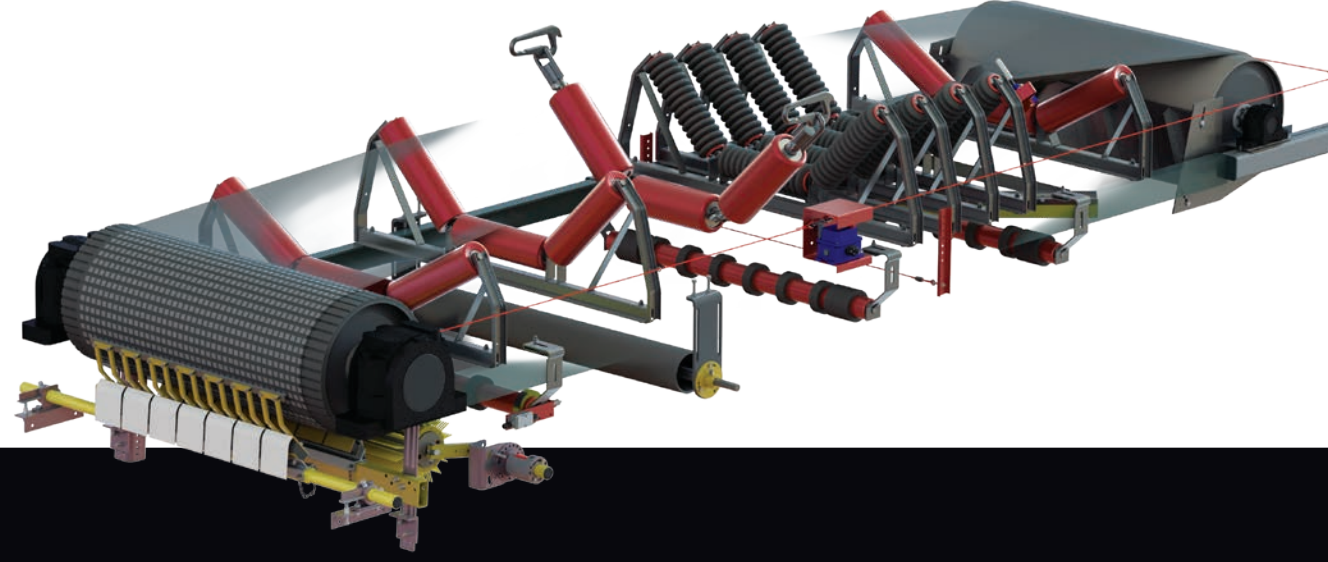
## Belt Monitoring System



## Wear Material



# GURTEC



Your partner for Conveyor Components  
in Europe, Africa and the Middle East

### GURTEC GmbH

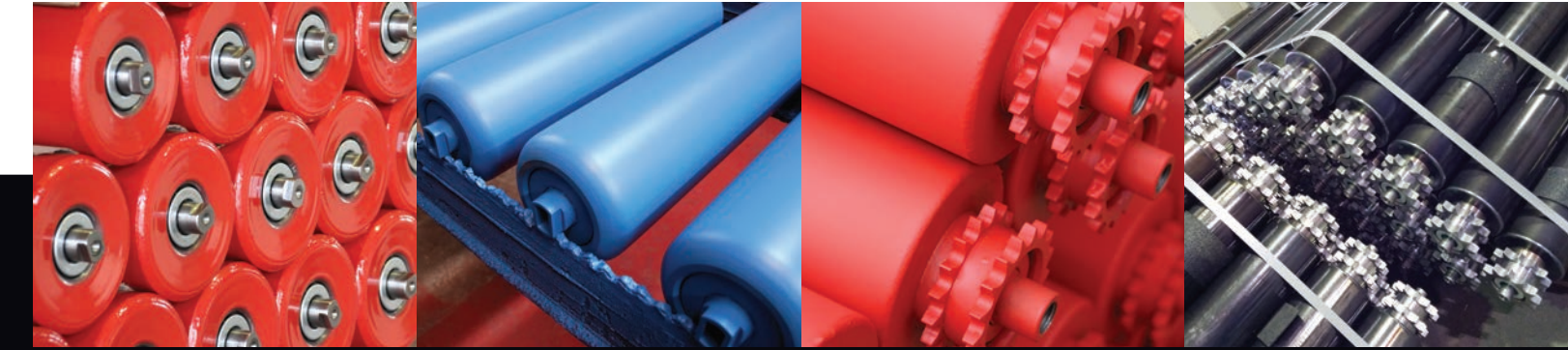
Gurtecstrasse 3  
38170 Schöppenstedt, Germany  
Tel: +49 5332 9309 0

[info@gurtec.com](mailto:info@gurtec.com) | [www.gurtec.com](http://www.gurtec.com)

Your GURTEC Partner:

# GURTEC

## Conveying with passion

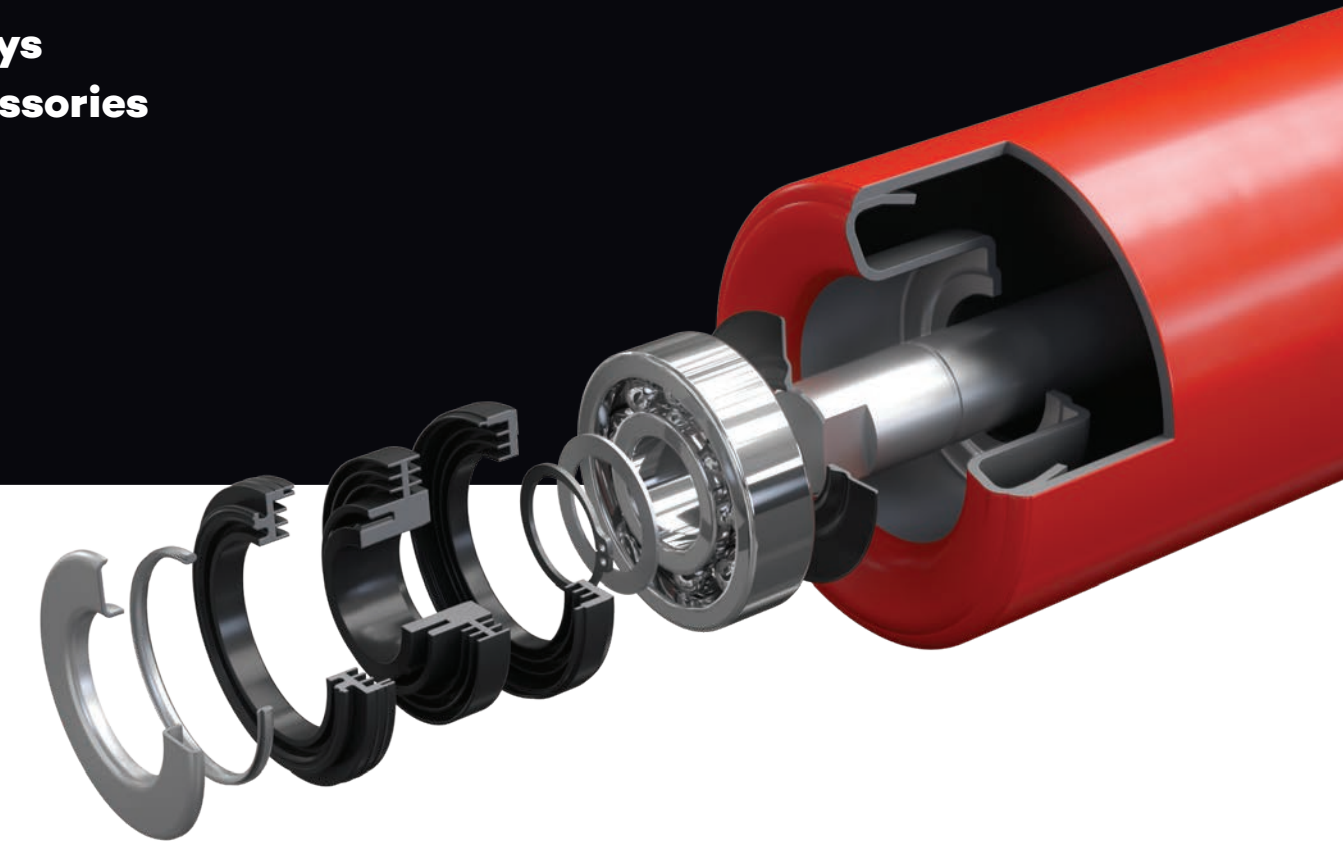


### ROLLERS

Frames & Garlands

Pulleys

Accessories





- High quality – Made in Germany
- Industry benchmark
- Flexible solutions
- 50 years of experience
- Over 30 million rollers sold world wide



1969 Foundation of GURTEC in Bremerhaven



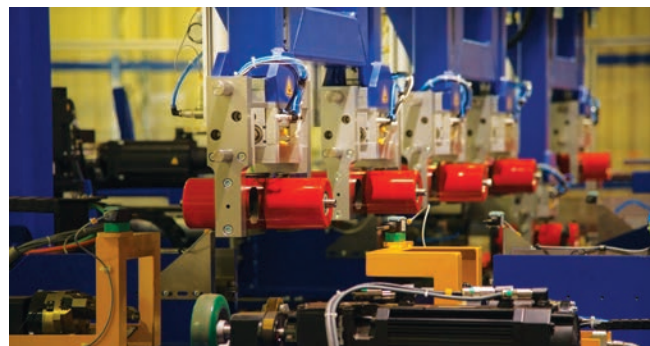
1976 Relocation to Schöppenstedt



1988 Automated GUP roller production



2007 HM140/150 roller production

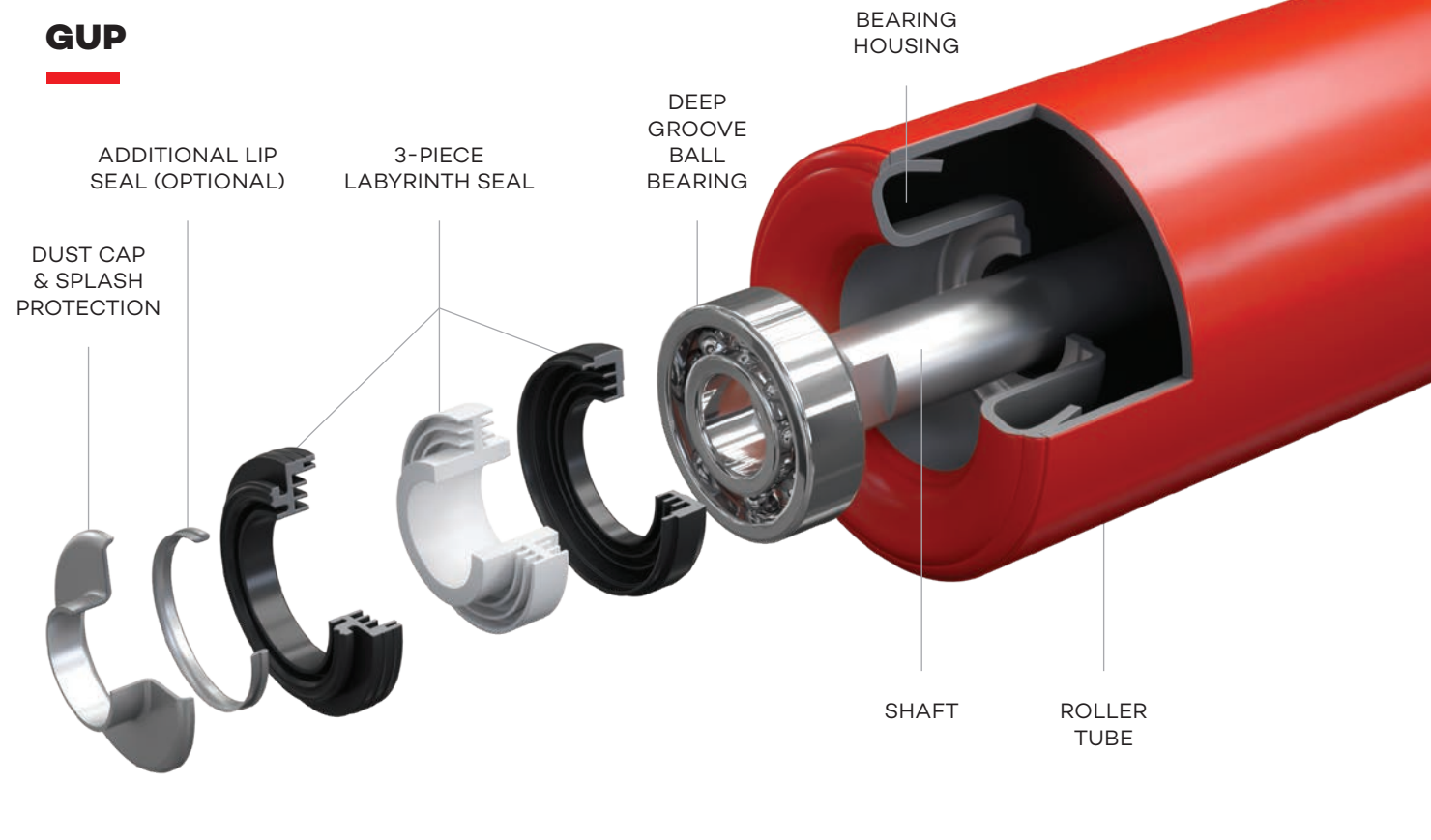


2016 Automated GST roller production

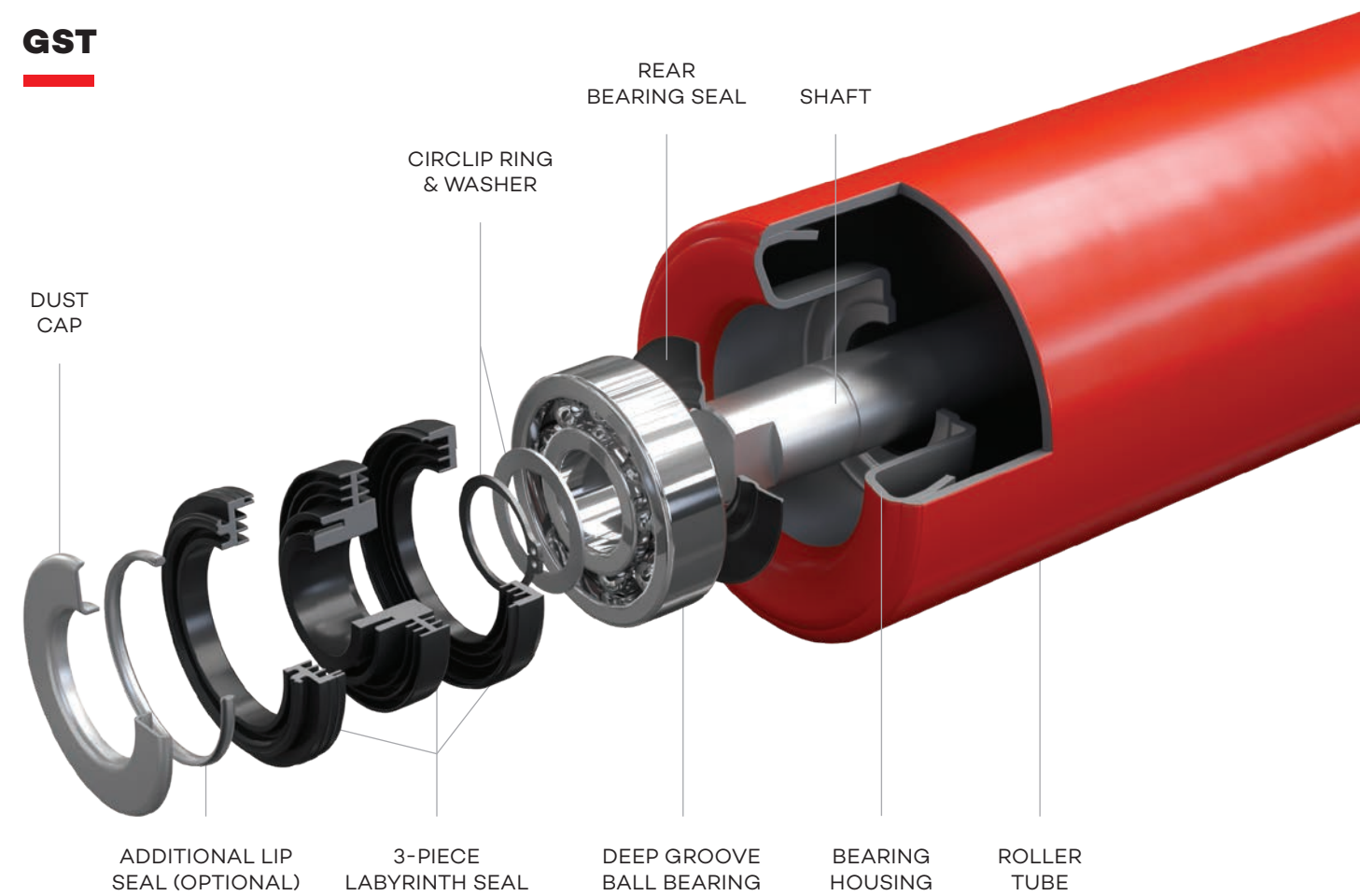


2017 NEPEAN becomes the new owner

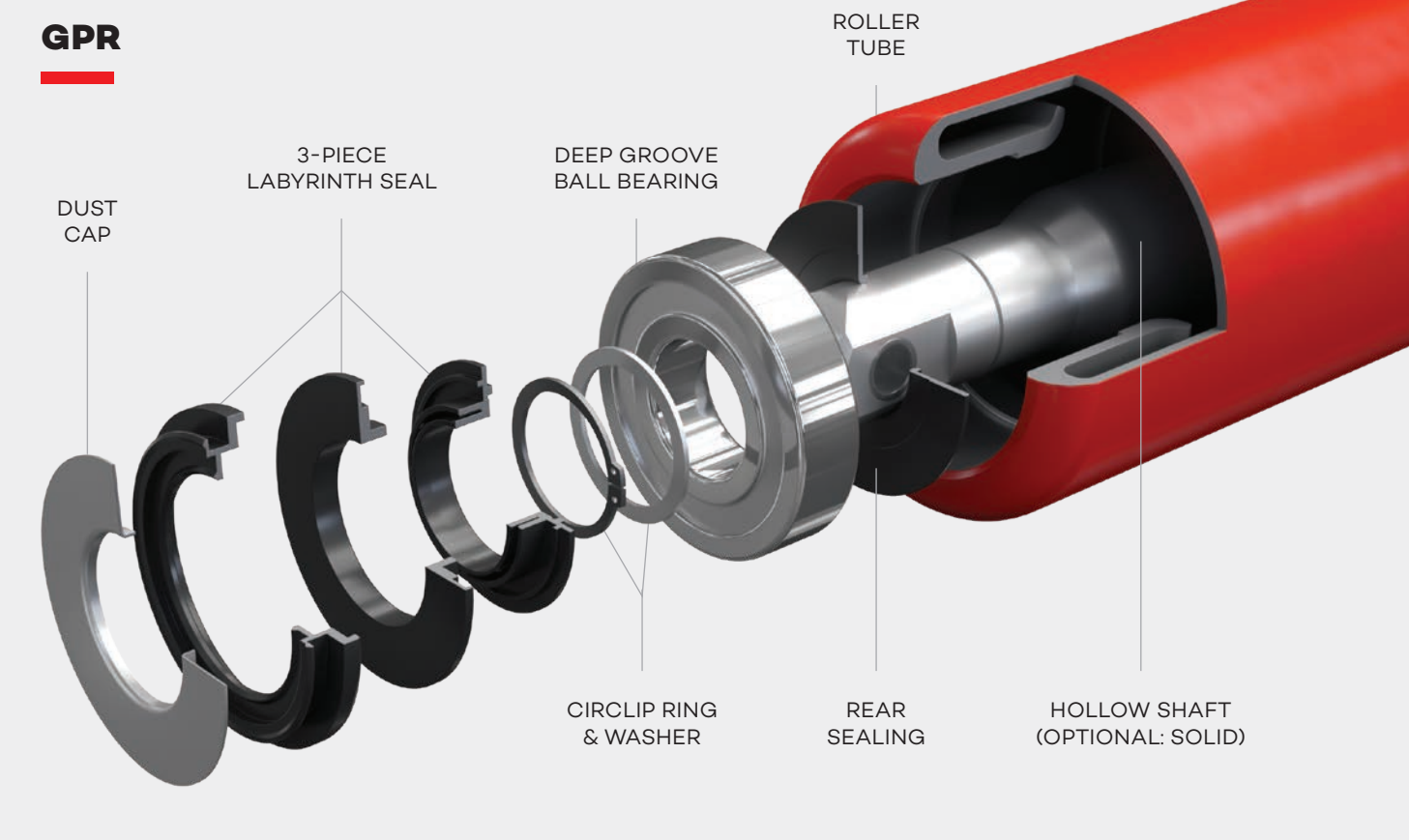
## GUP



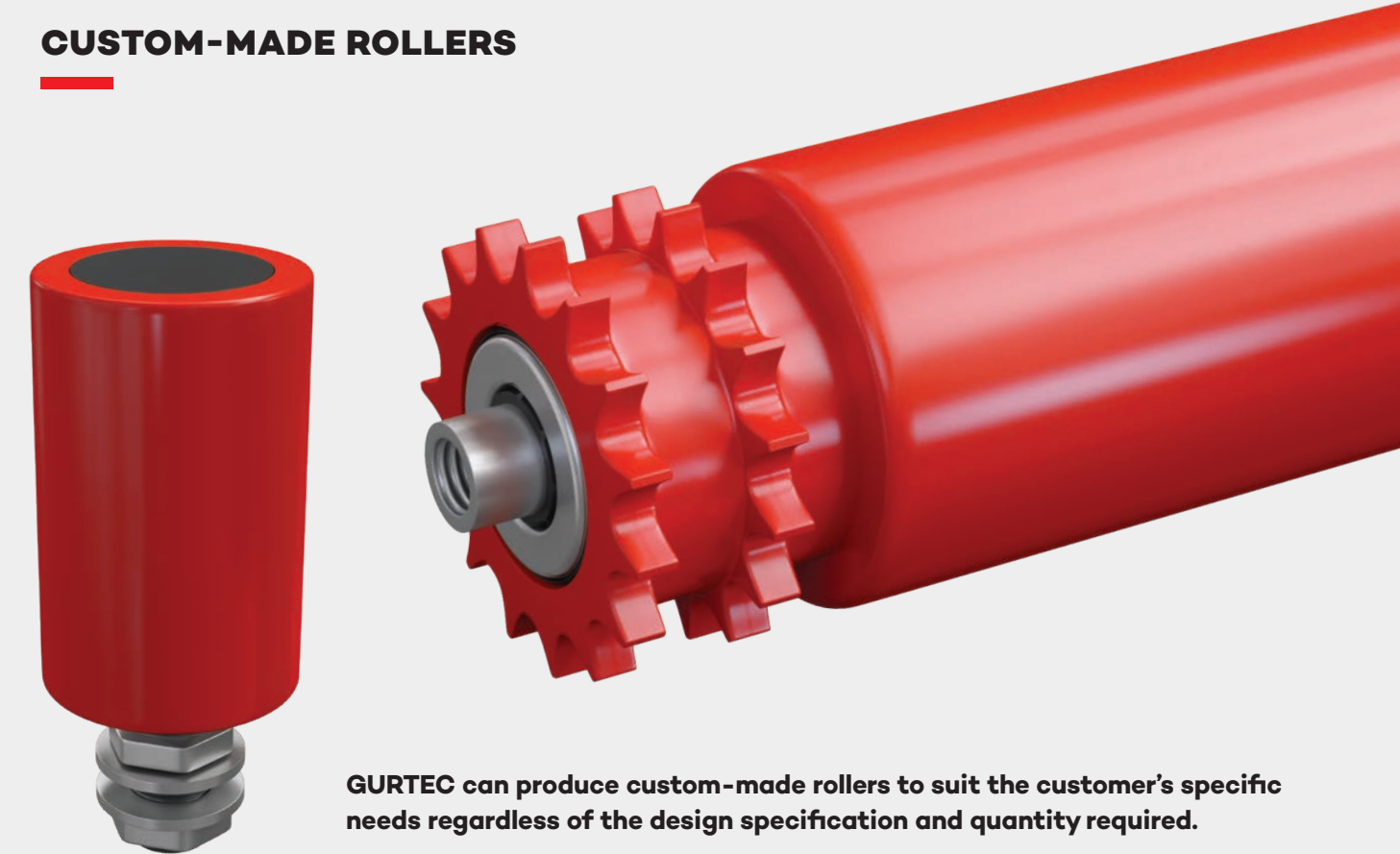
## GST



## GPR



## CUSTOM-MADE ROLLERS



**GURTEC can produce custom-made rollers to suit the customer's specific needs regardless of the design specification and quantity required.**

For example: Sprocket wheel roller, stub roller, side-guide roller, conical roller, double-toothed belt roller, tapping roller and many more.

