

Craftsmanship for Forward Momentum

V CONE BLENDER

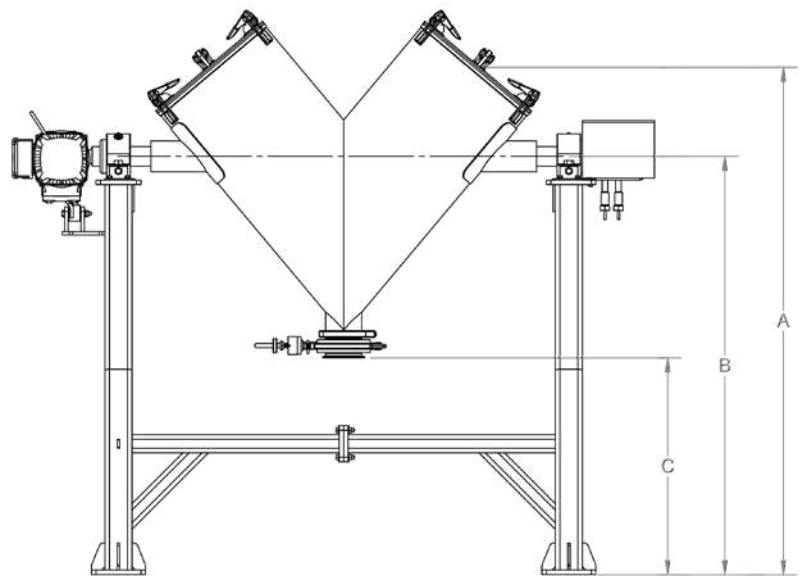
CLASSIC DESIGN FOR PHARMACEUTICALS AND NUTRACEUTICALS

The V Cone Blender is a classic tumble mixer for formulations with free-flowing materials and uniform particle size, such as nutraceuticals, pharmaceuticals and powders. The simple design provides quick blends and easy discharge and cleaning. The blender rotates on its axis, with material gently converging and dividing for an even, consistent mix. The tumbling action can be gentler for delicate materials. Compared with the competition, the Marion V Cone blender is more durable and features precision tooling and finish for maximum cleanability.



BENEFITS

- Minimized vibration using sand ports in stands
- Thorough blend with optional extended cone
- Clean by design, with no internal moving parts
- Easy discharge and drainage through the V shape
- Optional intensifiers to help break things up quickly
- Food-grade materials and high-grit finish
- Operator safety options such as guards and barriers
- Comparable price point for higher quality design, fit, and finish
- Local manufacturing and tooling: fully customizable as with all of the Marion line of products
- Trusted vendor with more than 80 years of experience
- One-stop-shop for pre-and-post sale, variety of mixers



SPECIFICATIONS

Model Number	Working Capacity (ft ³)	Working Capacity (L)	Inlet Height (A)	Centerline Height (B)	Discharge Height (C)	Discharge Diameter (in)	HP
VC-.25	0.25	7	29	20	24	4	0.75
VC-.50	0.5	14	30	20	24	4	1
VC-1.5	1.5	40	52	39	24	4	1.5
VC-2.5	2.5	70	56	41	24	4	2
VC-5	5	140	64	46	24	4	3
VC-10	10	275	86	64	36	6	5
VC-20	20	550	97	69	36	6	10
VC-30	30	850	106	74	36	8	10
VC-40	40	1125	113	77	36	8	15
VC-50	50	1400	117	79	36	8	15
VC-60	60	1700	123	83	36	10	20
VC-75	75	2125	128	85	36	10	25

ABOUT MOMENTUM SERIES

The Momentum Series expands the range of the Marion product line, focused on creating momentum for our customers, engineered with craftsmanship just for you... because we can create momentum only when we move **forward together**.