

FAST MOVING TECHNOLOGY

**STÄUBLI**

# TX2-200 range

**6 axis industrial robot**



## Characteristics

	TX2-200	TX2-200L
Load capacity	170 kg	110 kg
Reach (between axis 1 and 6)	2209 mm	2609 mm
Number of degrees of freedom	6	6
Repeatability - ISO 9283	±0.02 mm	± 0.02 mm
Power Consumption - VDMA 24608	1.638 kW	1.305 kW
Weight	980 kg	1000 kg
UL certification	ongoing certification	ongoing certification
Attachment methods		

(1) Ceiling consult us

## Performance

Joint speed - axis 1	160°/s	160°/s
Joint speed - axis 2	160°/s	160°/s
Joint speed - axis 3	165°/s	165°/s
Joint speed - axis 4	260°/s	260°/s
Joint speed - axis 5	360°/s	360°/s
Joint speed - axis 6	450°/s	450°/s
Maximum speed at load gravity center	12 m/s	14 m/s
Maximum inertia axis 5	50 kg.m <sup>2</sup>	40 kg.m <sup>2</sup>
Maximum inertia axis 6	25 kg.m <sup>2</sup>	15 kg.m <sup>2</sup>
Brakes	All axes	

## Work envelope and range of motion

Maximum reach between axis 1 and 5 (R. M)	2000 mm	2400 mm
Minimum reach between axis 1 and 5 (R.m1)	365 mm	528 mm
Minimum reach between axis 2 and 5 (R.m2)	545 mm	690mm
Reach between axis 3 and 5 (R.b)	800 mm	1200 mm

Axis 1 (A)	± 180°	± 180°
Axis 2 (B)	+ 120°/-115°	+ 120°/-115°
Axis 3 (C)	± 145°/-140°	± 145°/-140°
Axis 4 (D)	± 270°	± 270°
Axis 5 (E)	± 120°	± 120°
Axis 6 (F)	± 270° (2)	± 270° (2)

(2) Software configurable up to ± 11 250°

## Installation environment

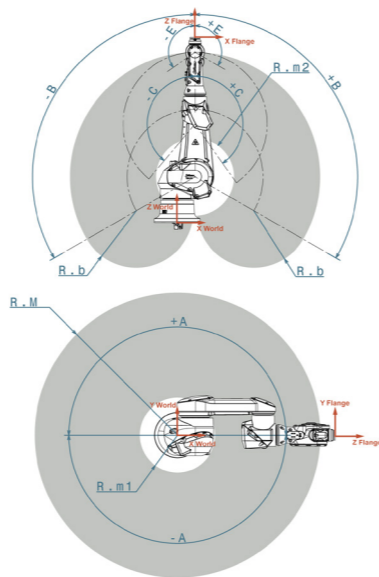
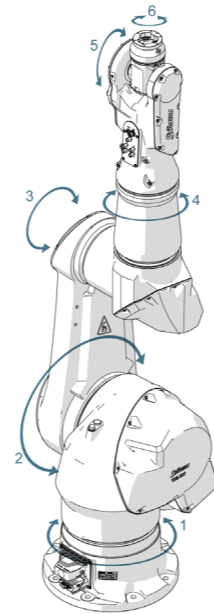
Working temperature according to NF EN 60 204-1	+5°C to +45°C
Humidity according to NF EN 60 204-1	50% to 90% max non-condensing
Vertical cable outlet version	Available
Pressurized version	Available
Controller	CS9 HP
Cleanroom standard ISO 14644-1	5
Protection class according to EN 60529	IP65/IP67

## Sensitive environment versions

Harsh (Automotive, Metal)	Available
HE (Humid Environment)	Available
Stericlean	Available

## Available options

Vertical cable outlet for better sealing	for smarter integration
H1 oil and grease	for hygienic demands

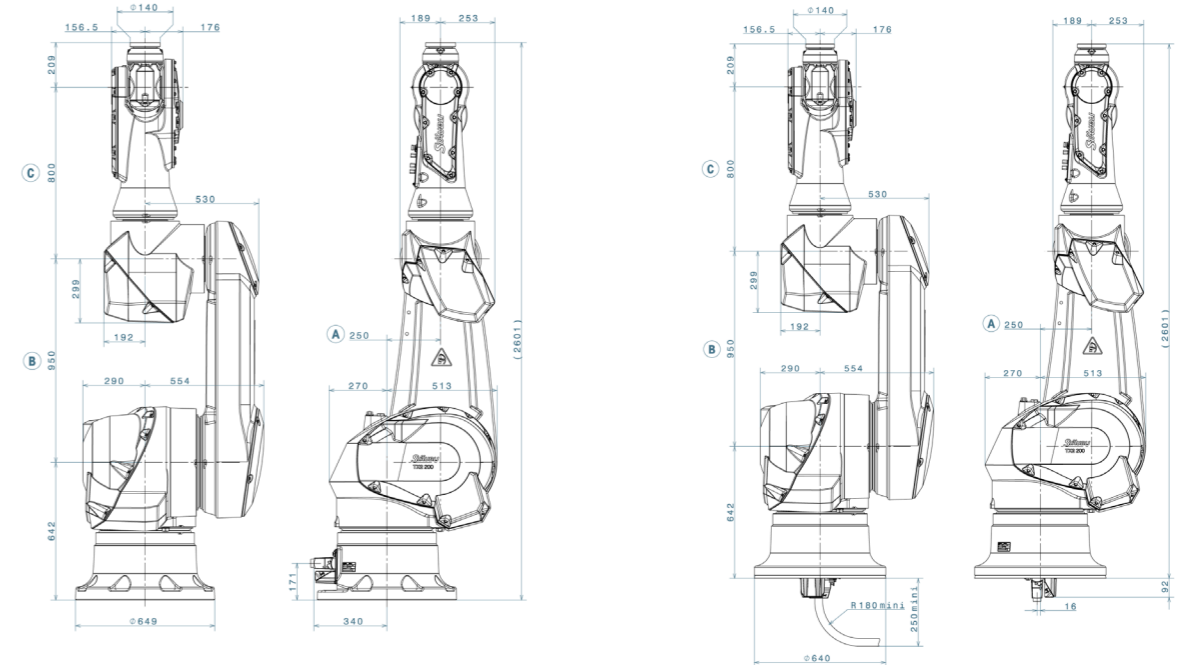


## User interface

FOREARM CONNECTIONS		
Pneumatic	2 direct lines between base and forearm or 2 optional solenoid valves : bi-stable solenoid valves 5/2 « pressure » or Mono-stable « center close » solenoid valves 5/3 « pressure »	
Electrical	Standard	1 female 19-contact socket (7 twisted pairs including 2 shielded, 3 power contacts)
	Ethernet	A 19-contact female cylindrical connector with 5 twisted pairs and 3 power contacts + 4-contact female cylindrical connector M12 code D for a Cat 5e Ethernet link.

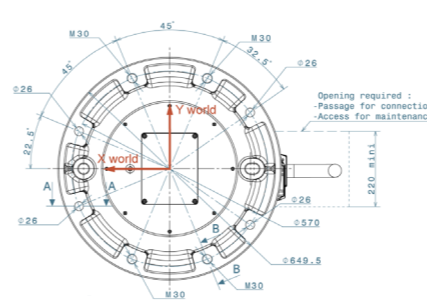


## Dimensions

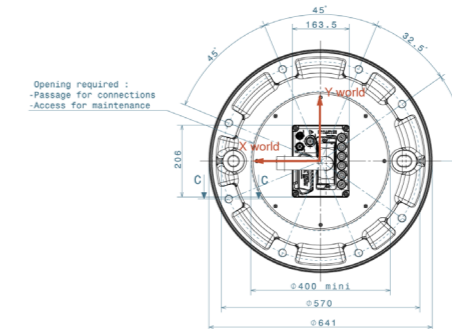


## Mounting

### Horizontal cable output

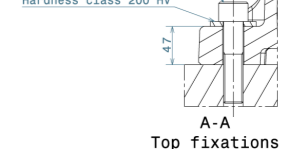


### Vertical cable output

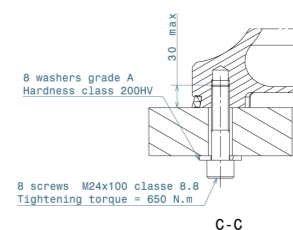


### Fixation

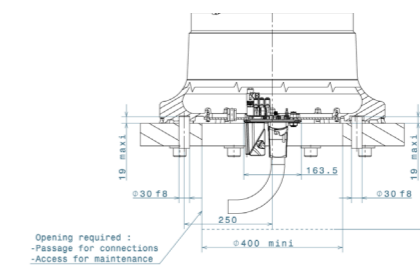
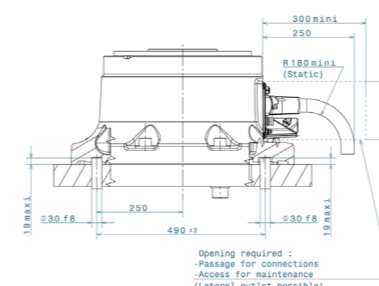
8 screws M24x100 class 8.8  
Tightening torque = 650 Nm  
In steel only



For horizontal and vertical cable output



For vertical cable output





● Stäubli Units    ○ Representatives/Agents

# Global presence of the Stäubli Group

[www.staubli.com](http://www.staubli.com)