

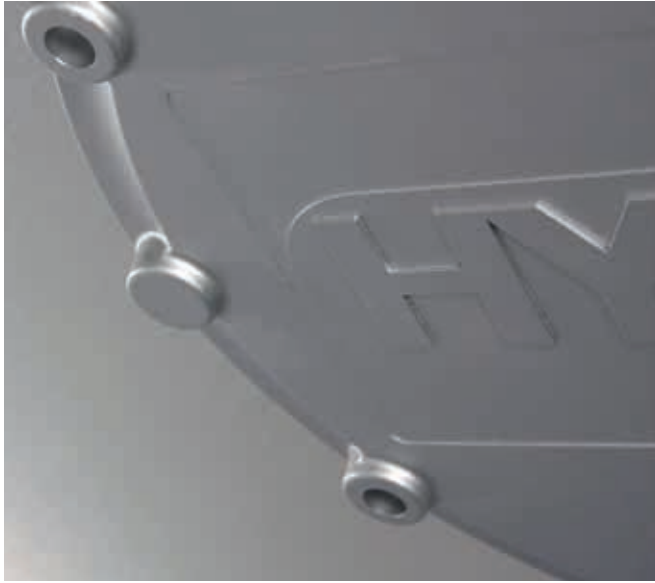


with 3 µm

HB

TANK ACCESSORIES

TANK ACCESSORIES



CONTENT

Cleaning covers	43
Level oil gauges	46
Level switches	48
Desiccant breathers (LEF)	51
Filler and breather filter	54
General technical information	55

CLEANING COVERS

PRODUCT DESCRIPTION

- For a safe closure of inspection openings
- Mounting via flange or central assembling
- Types RD 250-4 and RD 250/235 for steel oil tanks of low size
- Types RD 350 and RD 475 acc. to DIN 24339
- Test pressure for all RD types max. 0.5 bar
- O-ring and form gasket available in perbunan (NBR standard), viton (FKM) and EPDM
- Material: aluminium
- All cleaning covers with flange assembling also available in steel or VA
- Version „W“ with sight glass made of polycarbonate
- All aluminium cleaning covers also available with customised company logo



Order code cleaning covers							
Type	Size	Material		Version**			
RD	350-V324-6	-		W			
	250/235	-	=>	Alu (standard)	-	=>	standard
	250-4	ST	=>	S235JR	W	=>	sight glass
	320-6	V2A	=>	1.4301			
	350-V324-4	V4A	=>	1.4571			
	350-V324-6						
	475-V449-6						
	595-V570-8						
	235-200*						
	345-300*						

* central assembling

** available in sizes 350 and 475

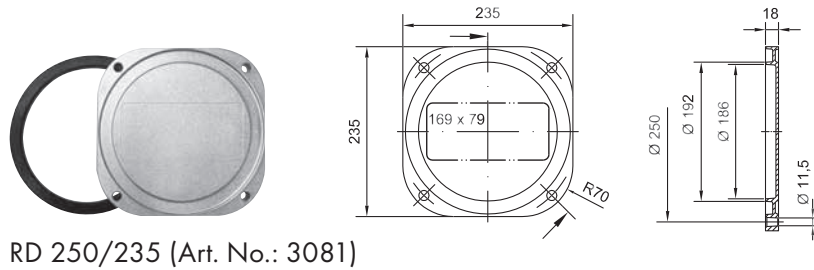


Order code gasket		
Type	Size	Material
D	268	NBR
		NBR
		FKM (Viton®)
		EPDM

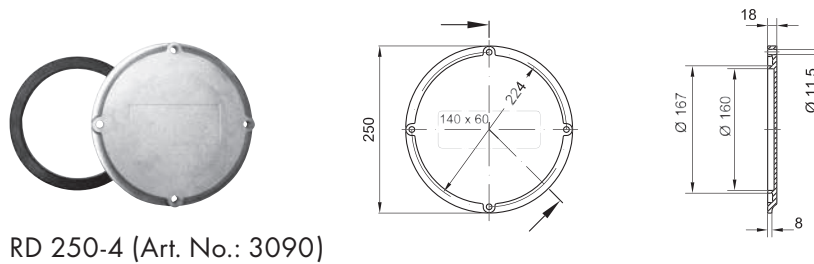


CLEANING COVERS

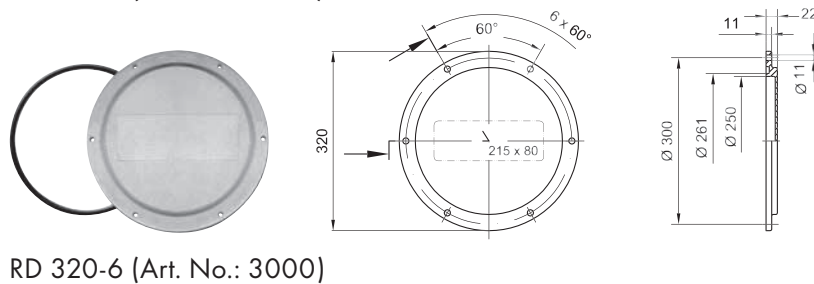
DIMENSIONS VERSION FLANGE ASSEMBLING



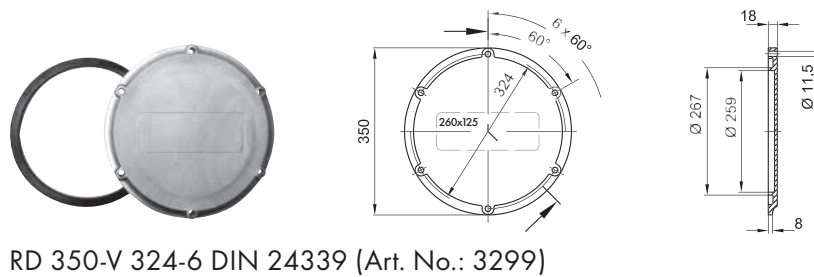
Form gasket 16 x 18	
Art. No.	Type
3079	D193 NBR
3086	D193 FKM



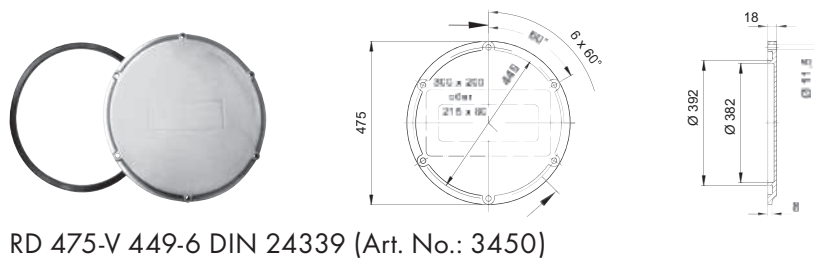
Form gasket 16 x 18	
Art. No.	Type
3091	D168 NBR
3092	D168 FKM



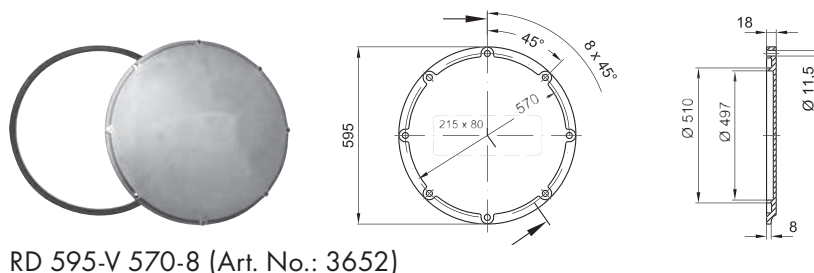
O-ring gasket	
Art. No.	Type
3003	260 x 10 NBR
3004	260 x 10 FKM



Form gasket 16 x 18	
Art. No.	Type
3151	D268 NBR
3152	D268 FKM
3153	D268 EPDM



Form gasket 16 x 18	
Art. No.	Type
3451	D393 NBR
3452	D393 FKM
3453	D393 EPDM

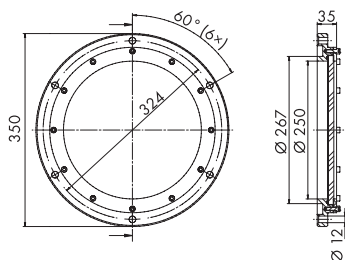
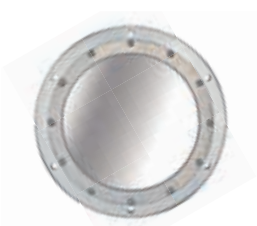


Form gasket 16 x 18	
Art. No.	Type
3651	D512 NBR
3661	D512 FKM

The recommended **screw torque** of the cap nuts is **10 Nm** for all sizes.

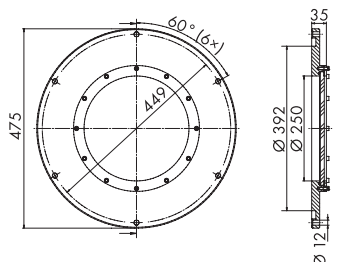
DIMENSIONS

VERSION WITH SIGHT GLASS



RD 350-V 324-6-W (Art. No.: 3440)

Form gasket 16 x 18	
Art. No.	Type
3151	D268 NBR
3152	D268 FKM
3153	D268 EPDM

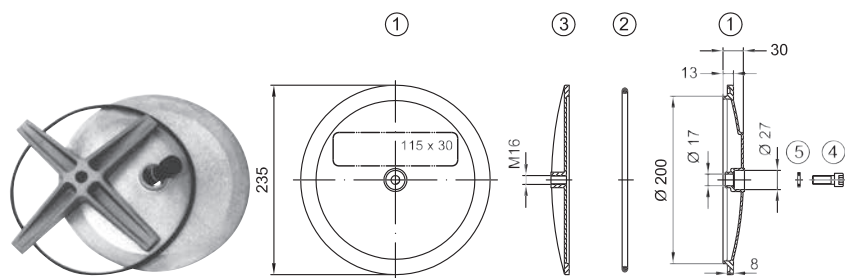


RD 475-V 449-6-W (Art. No.: 3545)

Form gasket 16 x 18	
Art. No.	Type
3451	D393 NBR
3452	D393 FKM
3453	D393 EPDM

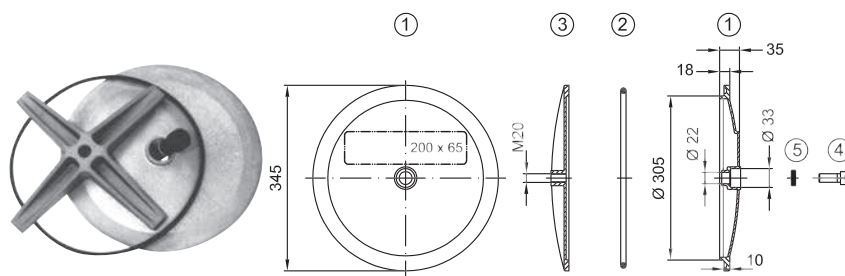
The recommended **screw torque** of the cap nuts is **10 Nm** for all sizes.

VERSION CENTRAL ASSEMBLING



RD 235-200 (Art. No.: 3550)

RD 235-200		
Code No.	Art. No.	Type
1	3550	Lid
2	3551/ 3562	O-ring gasket 214 x 5 NBR/FPM
3	3552	Cross GGG
4	3553	Gasket Usit 22 x 16
5	3554	Screw M16 x 40



RD 345-300 (Art. No.: 3600)

RD 345-300		
Code No.	Art. No.	Type
1	3600	Lid
2	3601/ 3607	O-ring gasket 315 x 10 NBR/FPM
3	3602	Cross GGG
4	3603	Gasket Usit 22.7 x 30
5	3604	Screw M20 x 60

The recommended **screw torque** of the cap nuts is **40 Nm** for both sizes.

LEVEL OIL GAUGES

SCALE PLATE VERSION

- Optical / thermal monitoring of the liquid level in the tanks
- 4 sizes from 76 mm up to 254 mm
- Suitable for hydraulic fluids HL and HLP
- Gaskets made of perbunan (NBR standard) or Viton® (FKM)
- Steel housing - powder coated
- Plug & sight glass made of PA
- Scale plate made of PVC
- Optional version with thermometer

Order code		
Type	Size	Option
ÖS	76	TH
	76	
	127	
	176	
	254	



ÖS ...

ÖS ... TH

FLOAT SWITCH VERSION

- Optical / electrical monitoring of the liquid level in the tanks
- 2 sizes from 127 mm up to 254 mm
- Suitable for hydraulic fluids HL and HLP
- Optional use with probe thermometer
- Optionally available as break contact or make contact
- Contact box acc. to DIN EN 175301-803-B/ISO6952
- Gaskets made of Viton® (FKM)
- Aluminium housing - powder coated
- Plug, sight glass and float switch made of PA

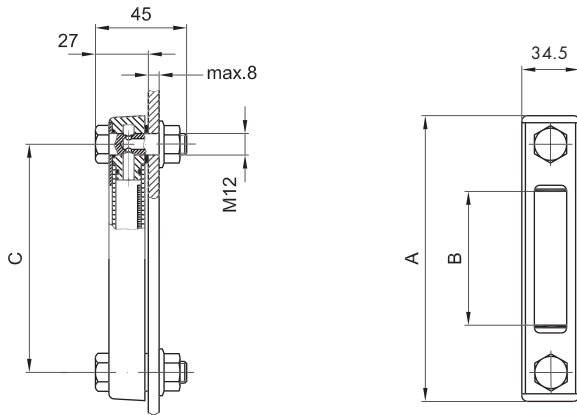


ÖS-EK-...

Order code								
Type	Size	Gasket	Electrical function	Probe thermometer	Fixing	Electrical switch*		
ÖS-EK	127	FKM	C	-	M12	R/L		
	127		C	Make contact closes at min. level	-	without	R	Right
	254		O	Break contact opens at min. level	T	probe thermometer 200 mm	L	Left
					TS	temperature switch 70°C		

*When connecting the electrical contacts, the direction of the contact box (right/left) for the types C and O can be determined by the user.

DIMENSIONS SCALE PLATE VERSION



Art. No.	Type	Dimensions [mm]		
		A	B	C
2340 2341	ÖS 76 ÖS 76 TH*	108	31	76
2350 2351	ÖS 127 ÖS 127 TH*	159	76	127
2352 2355	ÖS 176 ÖS 176 TH*	208	124	176
2360 2361	ÖS 254 ÖS 254 TH*	285	192	254

*Version with thermometer

TECHNICAL DATA

Application range: -20°C ... +80°C

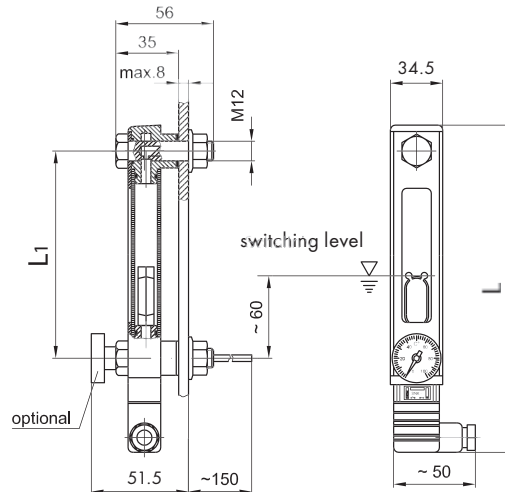
Indication range thermometer:

ÖS 76: +20°C ... +80°C

ÖS 127/176/254: -10°C ... +80°C

Screw torque: max. 8 Nm

DIMENSIONS FLOAT SWITCH VERSION



Art. No.	Type	Dimensions [mm]	
		L	L1
2366 2367	ÖS-EK-127-FPM-C/M12 R/L ÖS-EK-127-FPM-O/M12 R/L	159	127
2377 2378	ÖS-EK-127-FPM-C/T/M12 R/L ÖS-EK-127-FPM-O/T/M12 R/L	159	127
2381 2379	ÖS-EK-127-FPM-C/TS70/M12 R/L ÖS-EK-127-FPM-O/TS70/M12 R/L	159	127
2387 2382	ÖS-EK-254-FPM-C/M12 R/L ÖS-EK-254-FPM-O/M12 R/L	285	254
2383 2386	ÖS-EK-254-FPM-C/T/M12 R/L ÖS-EK-254-FPM-O/T/M12 R/L	285	254
2374 2375	ÖS-EK-254-FPM-C/TS70/M12 R/L ÖS-EK-254-FPM-O/TS70/M12 R/L	285	254

TECHNICAL DATA

Temperature range of medium: -20°C ... +80°C

Indication range probe thermometer:

0°C up to +100°C

Tank pressure: max. 1 bar

Screw torque: max. 8 Nm

ELECTRICAL CONNECTIONS / FUNCTIONS

Contact load:

max. 10 W (type C)

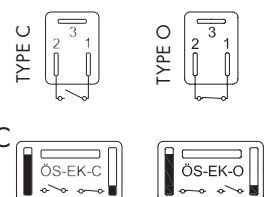
max. 5 W (type O)

Switching voltage: 50 VAC / DC

Switching current: 0.25 A

Electrical switch with PG9:

Protection class IP 65, connection 3 not in use



LEVEL SWITCHES

PRODUCT DESCRIPTION

- Electrical level monitoring
- Suitable for mineral oils, diesel and benzene, as well as for water
- Electrical circuit for level min. / max.
- Standard version level max. = contact open
- Contact pipe: brass
- Float switch: nylon
- Max. temp: 80°C
- Protection class: IP 65
- Hysteresis: 2 - 3 mm
- Max. voltage: 250 V AC
- Max. switch current: level 1 A
- Power AC/DC: level 80 W/VA

VERSION WITH 1 SWITCH CONTACT

- Optional with additional temperature monitoring:
1 switch contact level / 1 switch contact temperature
- Electrical circuit
for temperature < 70°C = contact closed
- Power AC/DC: temperature 10 W/VA

Order code		
Type	Length	Option
NS1-NO	200	TE70° NC

VERSION WITH 2 SWITCH CONTACTS

- Electrical level monitoring with 2 float switches

Order code		
Type	Length	Distance
NS2-NO	300	105

VERSION WITH VARIABLE SWITCH CONTACTS

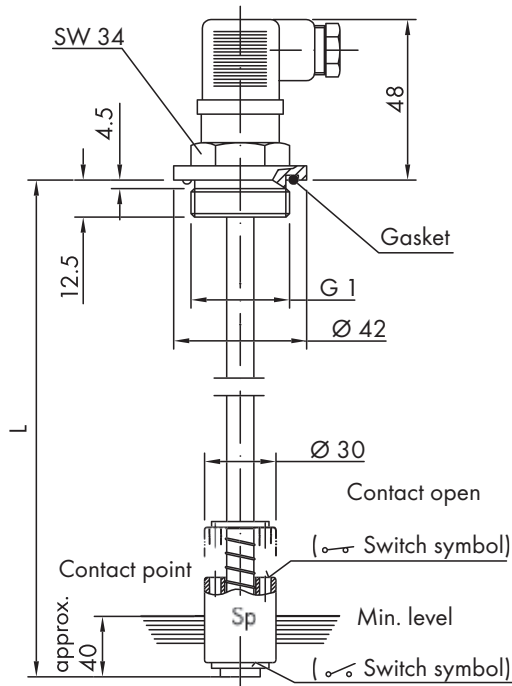
- Adjustable length by cutting the contact pipe to the required length
- Contact pipe: Innox aisi 304
- Float switch: NBR
- Contact type: Reed
- Power AC/DC: level 50 W/VA

Order code	
Type	Length
NS1	VR



DIMENSIONS

VERSION 1 SWITCH CONTACT

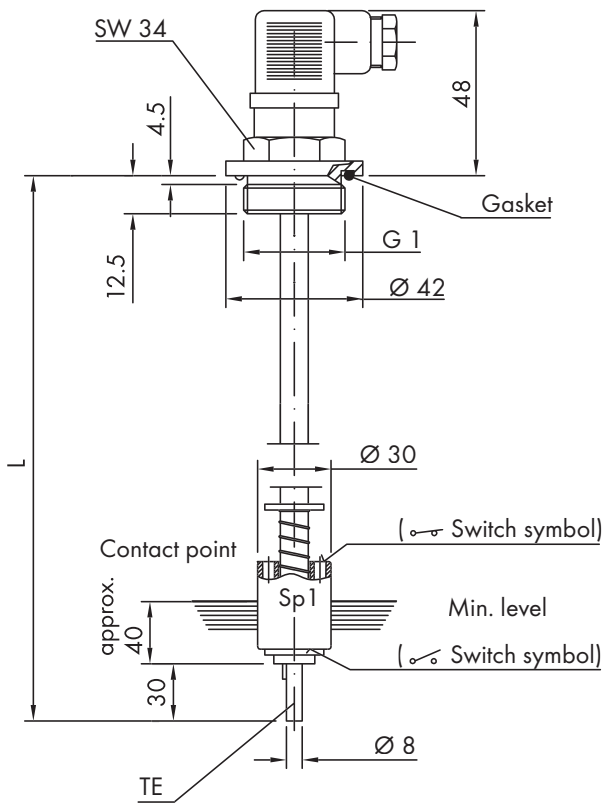


Art. No.	Type	Dimensions [mm]
		L
1420	NS 1-NO/100	100
1422	NS 1-NO/150	150
1424	NS 1-NO/200	200
1426	NS 1-NO/250	250
1428	NS 1-NO/300	300
1430	NS 1-NO/350	350
1432	NS 1-NO/400	400
1434	NS 1-NO/500	500
1435	NS 1-NO/600	600
1437	NS 1-NO/700	700

By turning the float switch the contact is changed to:

Max. level = contact closed

Min. level = contact open

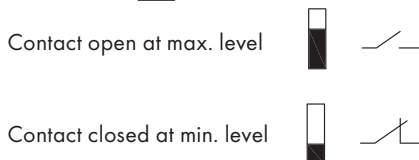


Art. No.	Type	Dimensions [mm]
		L
1502	NS 1-NO/150 TE 70° NC	150
1504	NS 1-NO/200 TE 70° NC	200
1505	NS 1-NO/240 TE 70° NC	240
1506	NS 1-NO/250 TE 70° NC	250
1508	NS 1-NO/300 TE 70° NC	300
1510	NS 1-NO/350 TE 70° NC	350
1512	NS 1-NO/400 TE 70° NC	400
1513	NS 1-NO/450 TE 70° NC	450
1514	NS 1-NO/500 TE 70° NC	500
1540	NS 1-NO/600 TE 70° NC	600

By turning the float switch the contact is changed to:

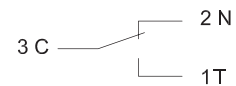
Max. level = contact closed

Min. level = contact open



> 70° Contact open

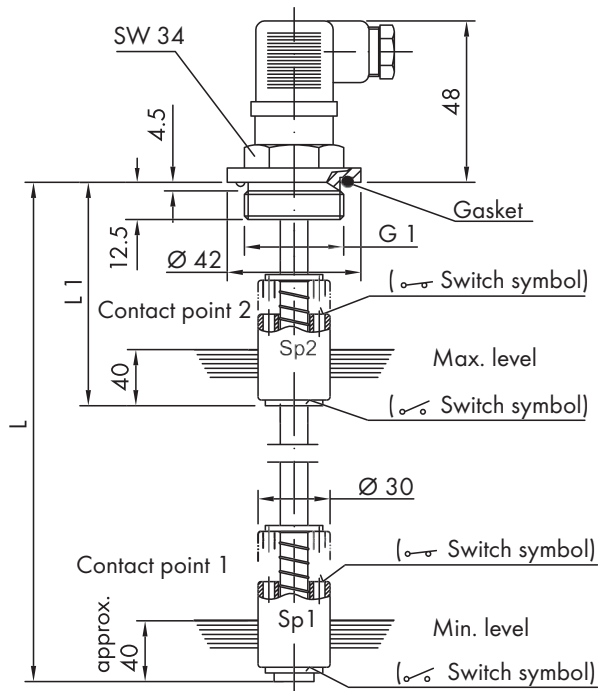
< 70° Contact closed



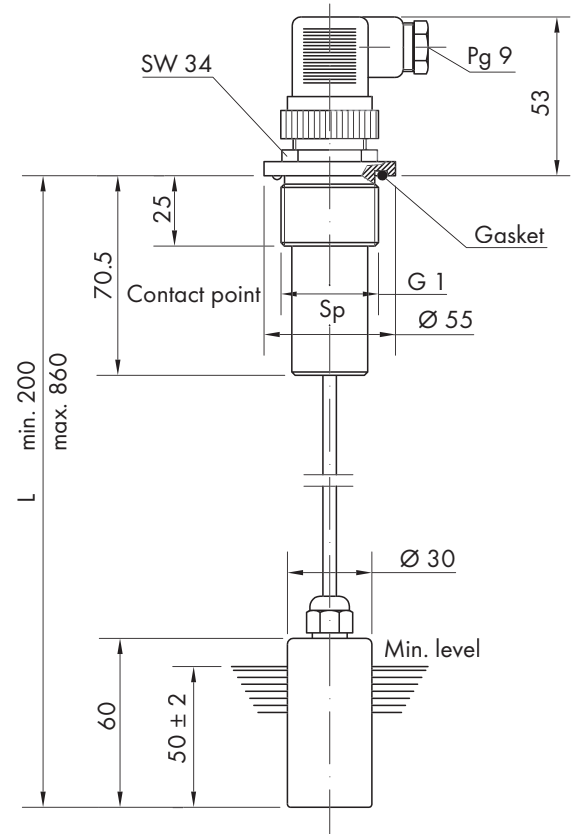
LEVEL SWITCHES

DIMENSIONS

VERSION 2 SWITCH CONTACTS

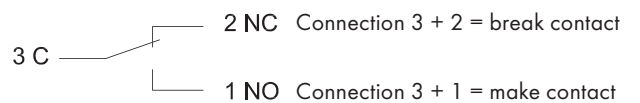


VERSION VARIABLE SWITCH CONTACT



Art. No.	Type	Dimensions [mm]	
		L	L1
1457	NS 2-NO/250/105	250	105
1459	NS 2-NO/300/105	300	105
1461	NS 2-NO/350/115	350	115
1463	NS 2-NO/400/115	400	115
1465	NS 2-NO/500/125	500	125

Art. No.	Type
1411	NS 1-VR (200-860 mm)

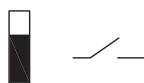


By turning the float switch the contact is changed to:

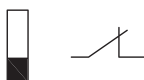
Max. level = contact closed 

Min. level = contact open 

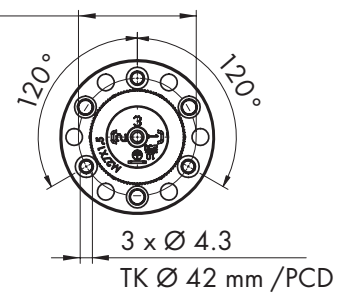
Contact open at max. level



Contact closed at min. level



Flange fixing



DESICCANT BREATHERS

PRODUCT DESCRIPTION

- Tank breathing, humidity absorption and cleaning of the inflowing air in one unit
- Refillable with separately available desiccant "EG"
- Easy disposal of desiccant in the household waste
- No content of any hazardous material acc. to EG directive 99/45/EC and 2001/60/EC
- Easy capacity control of the desiccant by colour changing from red to orange
- Easy replacement of the air filter cartridge
- Reduction of oxidation inside the hydraulic system
- Service life extension of oil and machinery
- Available incl. adapter plates "A" and dust indicator "VA"

Order code			
Type	Size	Option	
LEF	93	A9	VA
	61	A9	
	93	A12	
	96		
	121		
	122		



ACCESSORIES

DUST INDICATOR "VA"

- Is being mounted on the adapter plate
- Displays the contamination level of the air filter
- After changing the air filter cartridge, the dust indicator is reusable by pressing the RESET button



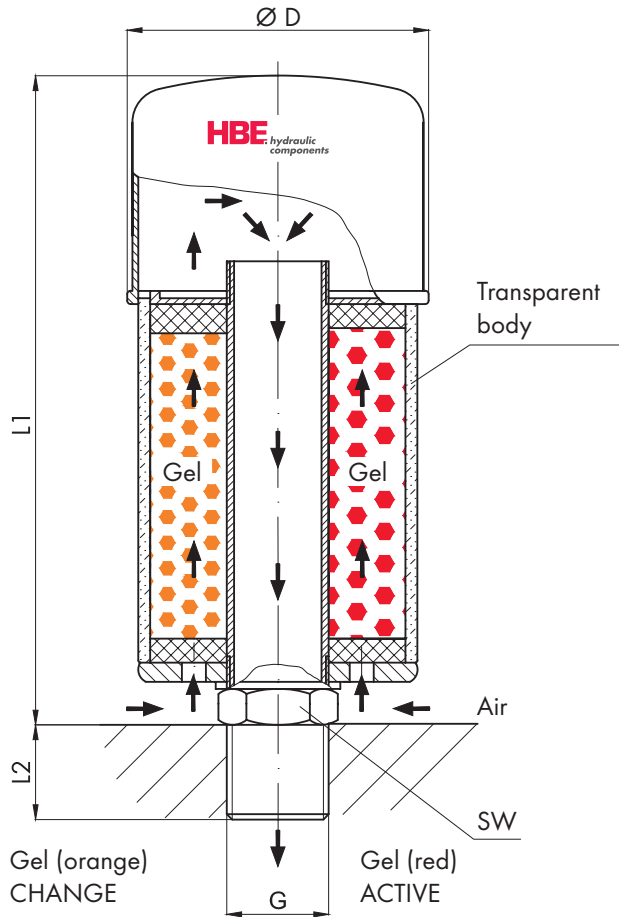
ADAPTER PLATE "A"

- Allows a direct mounting on existing connections
- Connection possibilities for dust indicator as well as suction and return lines
- Material: plastics
- Plug, O-ring and Allen screws are included



DESICCANT BREATHERS

DIMENSIONS AND TECHNICAL DATA



MATERIALS

- Inner tube: stainless steel
- Body: SAN (Styrol Acrylnitril)
- Desiccant: ZR gel (3 - 6 mm)

FLUID COMPABILITY

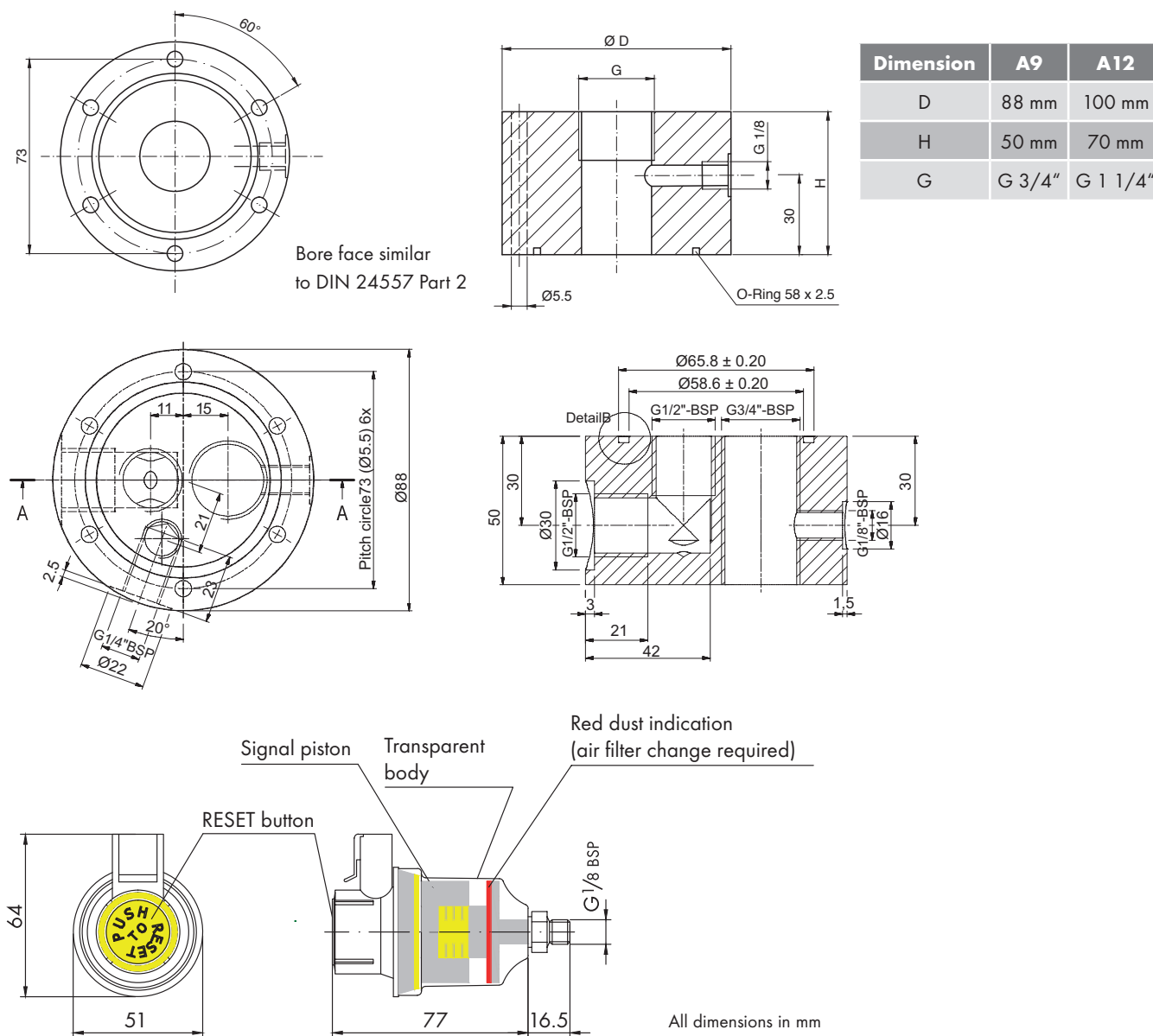
- Mineral oil: OK
- H, HL, HLP, HVLP: OK
- HEES (Synt. Ester): OK

For other fluids please contact HBE

On request all sizes with check valve
(standard for LEF61)

	LEF desiccant breathers				
Type	LEF 61	LEF 93	LEF 96	LEF 121	LEF 122
Article No.	2700	2701	2702	2703	2704
L1	136 mm	160 mm	220 mm	256 mm	366 mm
L2	without	20 mm	20 mm	28 mm	28 mm
D	70 mm	98 mm	98 mm	130 mm	130 mm
G	3/8" (inside)	3/4"	3/4"	1 1/4"	1 1/4"
SW	without	32 mm	32 mm	50 mm	50 mm
Max. airflow	0.05 m ³ /min	0.7 m ³ /min	0.7 m ³ /min	1.5 m ³ /min	1.5 m ³ /min
Air filter mesh	3 µm	3 µm	3 µm	3 µm	3 µm
Max. water absorption	29 g	86 g	172 g	288 g	576 g
Recommended tank size	< 30 l	< 250 l	< 500 l	< 1250 l	> 1250 l
Operating temperature	-40°C up to +90°C	-40°C up to +90°C	-40°C up to +90°C	-40°C up to +90°C	-40°C up to +90°C
Weight	0.4 kg	1.2 kg	1.5 kg	2.7 kg	4.0 kg

DIMENSIONS AND TECHNICAL DATA



SPARE PARTS / ACCESSORIES

Spare parts					
Air filter cartridge	LF 6	LF 9	LF 9	LF 12	LF 12
Article No.	2710	2711	2711	2713	2713
Desiccant kit	EG 6	EG 93	EG 96	EG 121	EG 122
Article No.	2720	2721	2722	2723	2724
Optional accessories					
Adapter plate	-	A 9	A 9	A 12	A 12
Article No.	-	2731	2731	2733	2733
Dust indicator	-	VA	VA	VA	VA
Article No.	-	2741	2741	2741	2741

FILLER AND BREATHER FILTER

PRODUCT DESCRIPTION

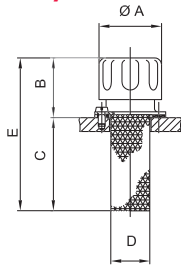
- Filling and ventilation of hydraulic tanks
- Permanent ventilation while protecting against contamination
- On request, metal version available with logo

Order code	
Type	Size
SE	2

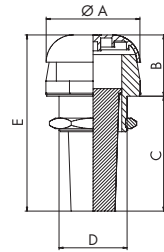


DIMENSIONS

SE1/SE2

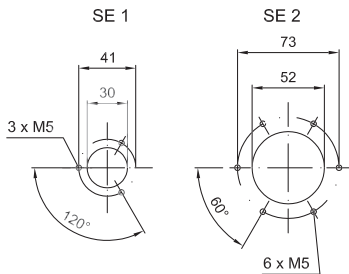


KE1



Type	Art. No.	Dimensions [mm]					Air filter	Material
		Ø A	B	C	D	E		
KE 1	2370	62	40	76	M45 x 2	116	45 µm	Plastics
SE 1	2371	47	45	63	Ø 28	110	10 µm	Metal (chromium free)
SE 2	2372	80	53	80	Ø 50	133	10 µm	Metal (chromium free)

Assembly diagram

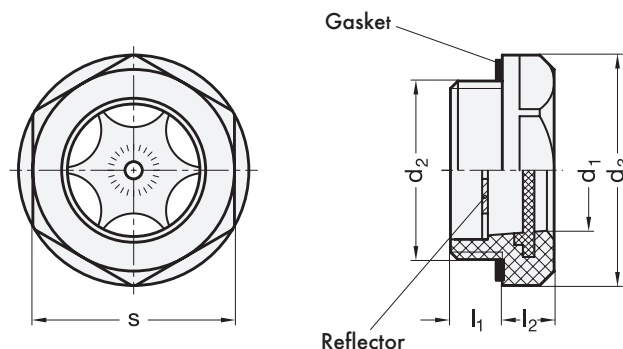


SIGHT GLASS

Order code	
Type	Size
ÖS	G 3/4"



DIMENSIONS



Size	Dimensions [mm]				
	d ₁	d ₃	l ₁	l ₂	s
G 1/2"	15	28	10	8.5	24
G 3/4"	18	35	10	8.5	32
G 1"	23	43	11	9.5	38
G 1 1/4"	30	50	11	9.0	46

GENERAL TECHNICAL INFORMATION

TABLE OF RESISTANCE AGAINST MINERAL OILS AND FLAME RESISTANT FLUIDS

Product	Material	Medium				
		Hydraulic oil / mineral oil base	HFA	HFB	HFC	HFD, HFD-R, HFD-S, HFD-T
Steel tanks	Steel	●	1	●	●	●
Gasket	NBR	●	●	●	●	●
Gasket	EPDM	●	●	●	●	●
AB tanks	Aluminium	●	●	●	●	●
Gasket	Paperboard	●	●	●	●	●
Gasket	Rubber cork	●	●	●	3	3
Lid SD	Steel	●	1	●	●	●
Oil level gauges						
with gasket	NBR	●	●	●	●	●
with gasket	FPM	●	●	●	●	●
Fillers	ST	●	●	●	●	●
Cleaning covers	Aluminium	●	●	●	●	●
with gasket	NBR	●	●	●	●	●
with gasket	FPM	●	●	●	●	●
with gasket	EPDM	●	●	●	●	●

● = Resistant

● = Not resistant

1 = Priming coat required

2 = If coating required, use epoxy resin

3 = Resistant to oil wetting

HYDRAULIC FLUIDS / MAIN COMPONENTS

HFA Oil in water emulsion, water content > 80%

HFB Water in oil emulsion, water content > 40%

HFC Watery polymer solution (water glycol), water content > 45%

HFD Synthetic fluids (water free)

HFD-R Phosphoric acid ester

HFD-S Chlorinated hydrocarbon

HFD-T Mixture of HFD-R + HFD-S

Online catalogue



epaper.hbe-hydraulics.com/en

HBE hydraulic
components

HBE GmbH
Hönnestraße 47
58809 Neuenrade / Germany
Phone +49 (0) 23 94 / 616-0
info@hbe-hydraulics.com
www.hbe-hydraulics.com



A company of
e.holding
FLUID TECHNOLOGY GROUP