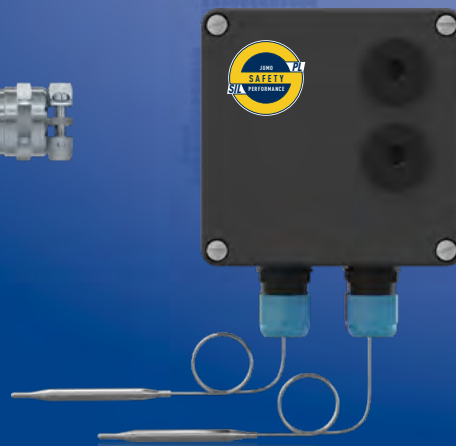




More than **sensors + automation**



New Products 2/2022





JUMO tecLine Ci

Inductive conductivity and temperature sensor

- Constructed without seals (parts coming into contact with the medium to be measured)
- Materials are FDA/food-use approved
- Installation in pipes as of DN 40
- Wear-free inductive measurement method
- No influence of deposits on the measuring accuracy
- Can be combined with JUMO AQUIS 500 Ci, JUMO AQUIS touch S/P, and JUMO digiLine Ci

Type 202941



JUMO SIRAS P21 AR/DP

Process pressure transmitter with SIL

- High degree of process reliability through reliable and precise measurement
- Reduction of safety assessment effort thanks to defined JUMO safety chain (JUMO Safety Performance)
- Simplicity when meeting security guidelines
- Device monitoring via 4 different measured values (HART®)
- Safe pressure measurement in safety-related systems
- Implementation of safety measuring chains SIL 2/SIL 3
- Certification according to DIN EN 61508 (SIL), DIN EN 13849 (PL), and PED (PED 2014/68/EU in combination with JUMO safetyM STB/STW and transmitter power supply unit)

Type 403024, 403028

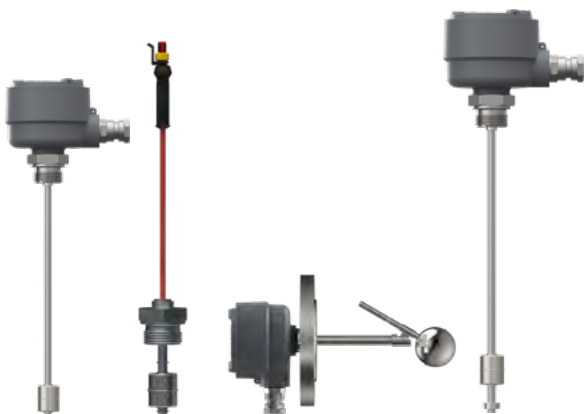


JUMO flowTRANS US W02

Ultrasonic flowmeter

- Reduced maintenance costs due to low-wear design without moving parts
- High degree of process reliability through precise measurement
- Metal-free design for use in corrosive media and environments
- Simultaneous measurement of up to 3 measurands (flow, temperature, pressure) at one measuring point
- Simple, convenient configuration and operation via Bluetooth using the JUMO smartCONNECT app
- Time and cost savings during configuration as well as the integration in plants and sensor networks through IO-Link
- Connection also possible via analog interfaces and/or pulse output

Type 406051



JUMO NESOS series

Reliable point level and level measurement – the compact solution for functional safety

- Reliable point level and level measurement of liquids in containers
- Proven measurement method with robust technology and maintenance-free operation
- High-quality floats from our own production with quality "made in Germany"
- Customer-specific solutions can be implemented due to a high degree of production depth
- Integrated detection of line faults such as a short circuit or line break
- Can be used up to Ex zone 0 for ignition protection type intrinsically safe [Ex i] or flameproof enclosure [Ex d]
- SIL 2 according to IEC 61508

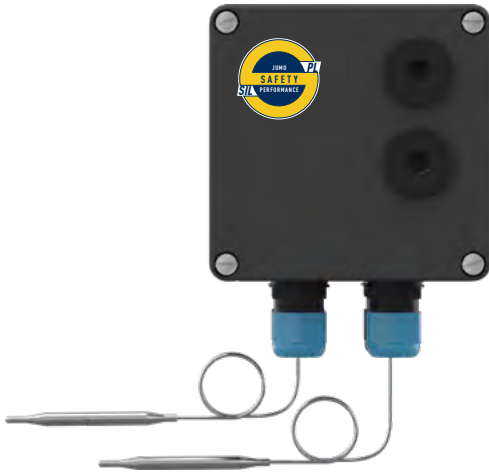
Type 4083xx



JUMO exTHERM S200

Explosion-protected
surface-mounted thermostat

- Single thermostat and double thermostat with capillary or rigid thermowell
- [Ex i] version can be mounted directly in zone 1 or zone 21
- SIL 2 according to DIN EN 60508
- Available with NAMUR circuitry
- Permissible ambient temperatures -40 to +75 °C
- Thermowell for use in zone 0 available as an accessory
- Quick and safer electrical connection through PUSH IN terminal technology



Type 605058



JUMO Engineering

Innovative system solutions with expertise

- Feasibility analysis
- Creation of a technical concept including product requirements/specification sheet
- Complete project planning and documentation
- Project planning including PLC programming, visualization, network technology, etc.
- Continuous project management
- On-site startup
- Training and support





JUMO hydroTRANS series

Humidity and temperature transmitter with optional CO₂ module for HVAC applications

- Precise monitoring of the environmental influences
- Variants for different installation locations
- Low maintenance requirements, easy filter cap replacement
- Easy installation via established interfaces, minimal installation effort

Type 907042/43/44/45



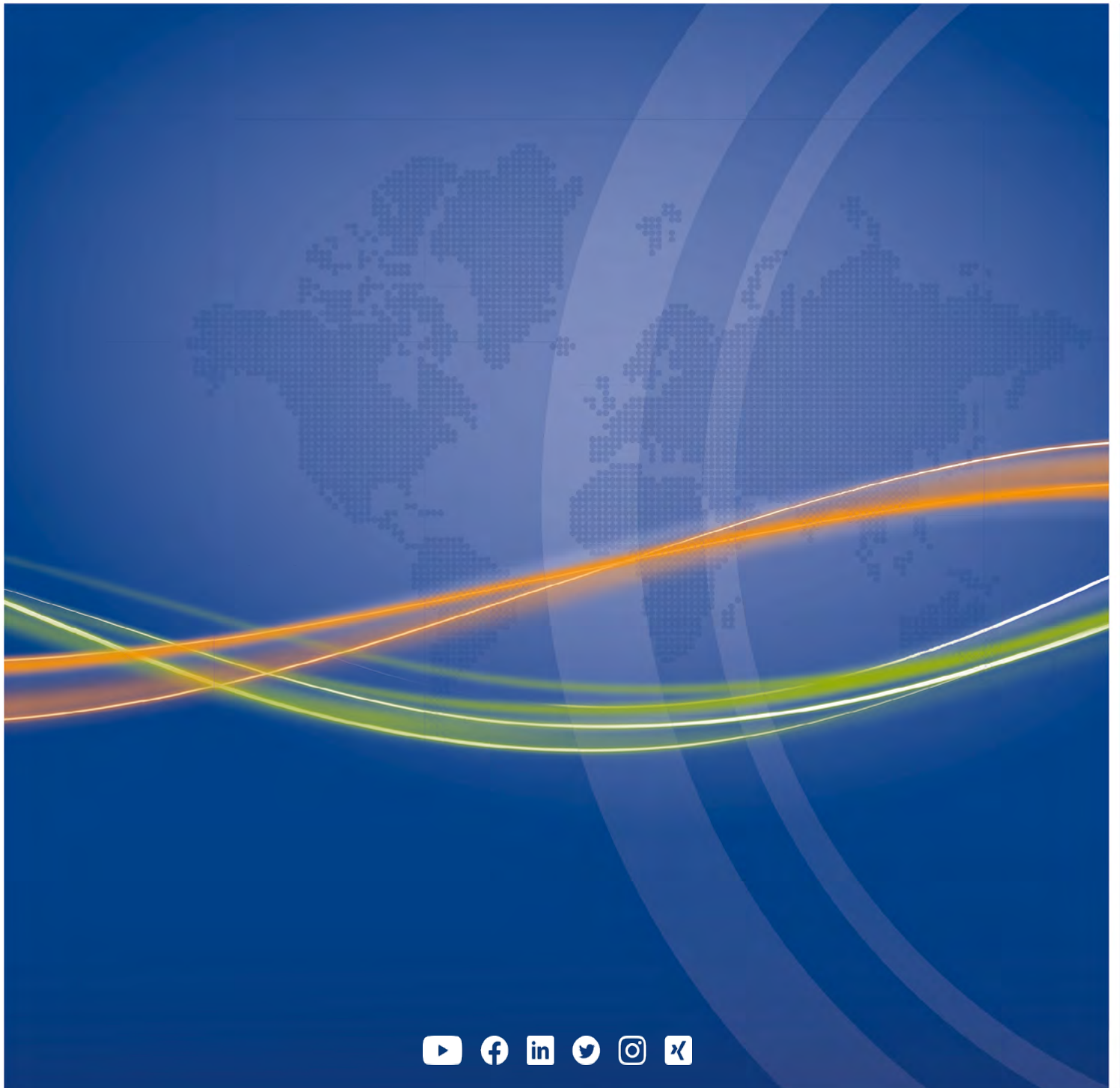
JUMO smartWARE Program

Software for editing process technology programs with JUMO variTRON

- Intuitive graphical user interface
- Browser-based software for JUMO variTRON
- Editing of process technology programs
- Customizable graphical user interface
- End-to-end solution provided by JUMO (sensor, automation, software)



Type 701850



www.jumo.net