



AVK REPICO® - SLIP TYPE COUPLING (S)

745/20-111

Non-tensile / Flexible, for all pipes, stainless steel 316L, EPDM



AVK's Repico® product program consists of stainless steel pipe couplings and repair couplings for pipe diameters from DN15-2000. The Repico® range offers a quick and simple connection solution for all pipes with possibility of angular deflection and easy handling due to the compact and light weight design.



Product description:

Repico® S - Slip type coupling (non-tensile / flexible) to connect all pipes. For water and neutral liquids - 30° C up to +110° C



Test/Approvals:

- BV
- DNV
- DVGW
- RINA



Material approvals:

- EN 681-1
- EG (UBA)
- W270 (DVGW)
- BS 6920 (WRAS)
- XP P 41-250 (ACS)
- Hydrocheck (Belgaqua)

Features:

- Slip type coupling provides a connection solution for all pipes that need to be able to expand/contract and/or support the restraint pipe. Available in DN15-600
- Couplings < DN50 with spot welding and from DN50 seam welding
- Progressive sealing
- Easy installation by use of a torque wrench, limited space required for installation due to compact design
- Pressure range up to 42,7 bar (620 PSI) depending on size
- Max. angular deflection 5° for DN15-50, 4° for DN65-175 and 2° for DN200 and larger
- Main components of stainless steel 316L
- Green PTFE coated bolts
- Light weight, appr. 30% in comparison with flanged connections
- Dampens water hammer, vibrations and structure-borne noise
- On request also available for high pressure or as long version; please contact our sales department

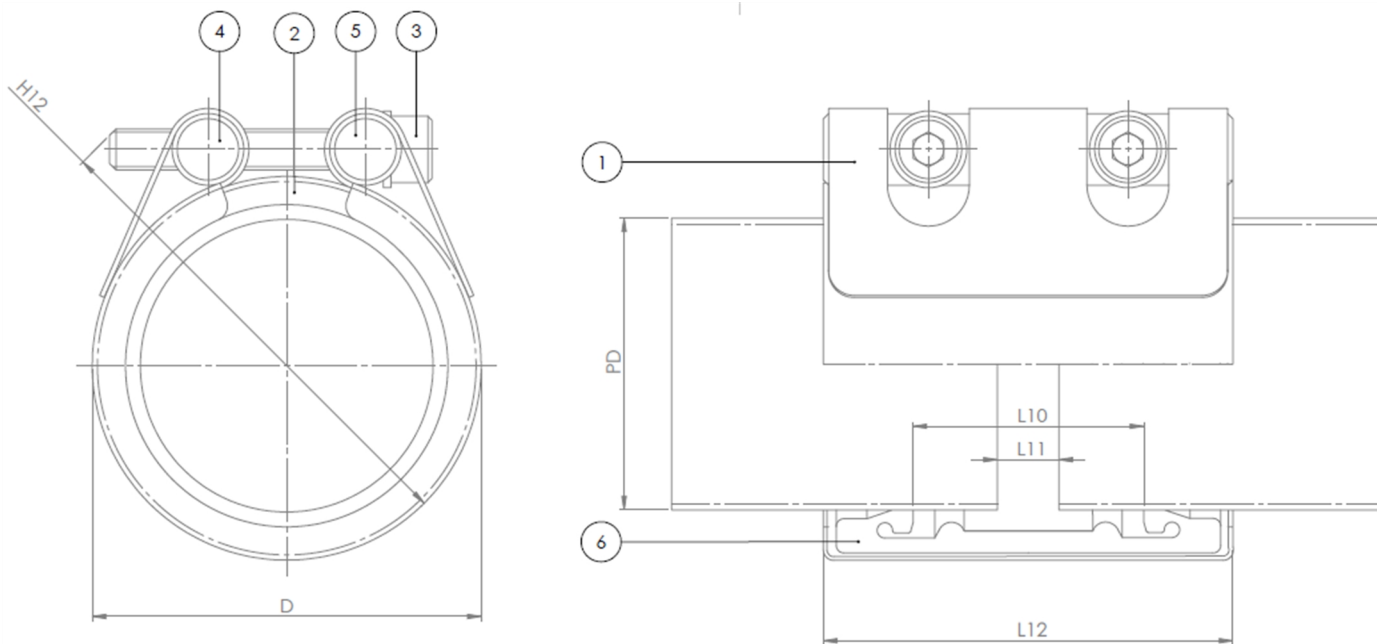


Expect ... **AVR**

AVK REPICO® - SLIP TYPE COUPLING (S)

745/20-111

Non-tensile / Flexible, for all pipes, stainless steel 316L, EPDM



Component list:

1. Body	Stainless steel AISI 316L	4. Nut	Stainless steel AISI 316L
2. Side plate	Stainless steel AISI 316L	5. Washer	Stainless steel AISI 316L
3. Bolt	Stainless steel A4, PTFE coated	6. Sealing	EPDM rubber

Components may be substituted with equivalent or higher class materials without prior notification.

Reference nos. and dimensions:

AVK ref. no.	DN mm	Tolerance mm	Pipe diam. mm	Work press. bar	Work press. Marine, bar 1)	D mm	H12 mm	L10 mm	L11 mm	L12 mm	Bolt Size (Metric)	Theoretical weight/kg
745-20-0020-111 (1)	15	19,5 - 20,5	20,0	42,7	16	29	48	28	8	60	2XM6X45	0.2
745-20-0021-111	15	21,0 - 22,0	21,3	42,7	16	31	49	28	8	60	2XM6X45	0.2
745-20-0025-111	20	24,0 - 26,0	25,0	42,7	16	38	57	28	8	60	2XM8X45	0.3
745-20-0027-111	20	26,0 - 28,0	26,7	42,7	16	40	58	28	8	60	2XM8X45	0.3
745-20-0028-111	25	26,4 - 29,0	28,2	42,7	16	42	62	28	8	60	2XM8X50	0.3
745-20-0030-111	25	29,0 - 31,0	30,0	42,7	16	43	64	28	8	60	2XM8X50	0.3
745-20-0032-111	25	31,0 - 33,0	32,0	42,7	16	45	66	28	8	60	2XM8X50	0.3
745-20-0034-111	25	33,0 - 35,0	33,4	42,7	16	47	68	28	8	60	2XM8X50	0.3
745-20-0038-111	32	37,0 - 39,0	38,0	42,7	16	51	75	28	8	60	2XM8X55	0.4
745-20-0040-111	32	39,5 - 41,3	40,0	42,7	16	53	77	28	8	60	2XM8X55	0.4
745-20-0042-111	32	42,0 - 44,0	42,2	42,7	16	56	79	28	8	60	2XM8X55	0.4
745-20-0044-111	32	44,0 - 46,0	44,5	42,7	16	58	81	28	8	60	2XM8X55	0.4
745-20-0048-111	40	47,5 - 49,5	48,3	42,7	16	62	85	28	8	60	2XM8X55	0.4
745-20-0050-111	50	49,2 - 51,5	50,8	42,7	16	64	88	28	8	60	2XM8X55	0.4
745-20-0054-111	50	53,0 - 55,0	54,0	42,7	16	70	92	44	8	80	2XM8X55	0.6
745-20-0057-111	50	56,0 - 58,0	57,0	42,7	16	73	95	44	8	80	2XM8X55	0.6
745-20-0060-111	50	59,0 - 61,5	60,3	42,7	16	76	98	44	8	80	2XM8X55	0.6
745-20-0063-111	50	62,0 - 64,0	63,0	42,7	16	79	101	44	8	80	2XM8X55	0.6
745-20-0066-111	65	65,4 - 68,3	66,7	37,3	14	83	105	44	8	80	2XM8X55	0.6
745-20-0069-111	65	68,5 - 71,0	69,0	37,3	14	85	107	44	8	80	2XM8X55	0.7
745-20-0073-111	65	72,5 - 75,5	73,0	37,3	14	89	111	44	8	80	2XM8X55	0.7
745-20-0076-111	65	75,0 - 78,0	76,1	37,3	14	92	114	44	8	80	2XM8X55	0.7
745-20-0079-111	80	78,8 - 82,0	79,9	37,3	14	100	128	59	15	110	2XM12X70	1.3
745-20-0084-111	80	82,5 - 85,5	84,0	37,3	14	104	132	59	15	110	2XM12X70	1.3

The designs, materials and specifications shown are subject to change without notice due to the continuous development of our product range.

AVK REPICO® - SLIP TYPE COUPLING (S)**745/20-111****Non-tensile / Flexible, for all pipes, stainless steel 316L, EPDM****Reference nos. and dimensions:**

AVK ref. no.	DN mm	Tolerance mm	Pipe diam. mm	Work press. bar	Work press. Marine, bar 1)	D mm	H12 mm	L10 mm	L11 mm	L12 mm	Bolt Size (Metric)	Theoretical weight/kg
745-20-0089-111	80	88,0 - 91,0	88,9	37.3	14	109	137	59	15	110	2XM12X70	1.3
745-20-0101-111	100	100,0 - 103,0	101,6	37.3	14	122	150	59	15	110	2XM12X70	1.4
745-20-0104-111	100	102,0 - 105,0	104,0	37.3	14	124	152	59	15	110	2XM12X70	1.4
745-20-0106-111	100	105,0 - 107,0	106,3	37.3	14	126	154	59	15	110	2XM12X70	1.4
745-20-0108-111	100	106,0 - 109,0	108,0	37.3	14	128	156	59	15	110	2XM12X70	1.4
745-20-0114-111	100	113,0 - 116,0	114,3	37.3	14	134	162	59	15	110	2XM12X70	1.5
745-20-0127-111	125	125,0 - 129,0	127,0	37.3	14	149	181	59	15	111	2XM12X80	1.8
745-20-0129-111	115	127,5 - 130,0	129,0	37.3	14	151	183	59	15	111	2XM12X80	1.8
745-20-0133-111	125	131,0 - 135,0	131,7	37.3	14	153	185	59	15	111	2XM12X80	1.8
745-20-0139-111	125	138,0 - 142,0	139,7	37.3	14	161	193	59	15	111	2XM12X80	1.9
745-20-0141-111	125	139,5 - 143,0	141,3	37.3	14	163	195	59	15	111	2XM12X80	1.9
745-20-0154-111	150	151,5 - 155,0	154,0	32	12	176	208	59	15	111	2XM12X80	2.0
745-20-0159-111	150	156,0 - 160,0	157,7	32	12	179	211	59	15	111	2XM12X80	2.0
745-20-0165-111	150	164,0 - 167,0	165,2	32	12	187	219	59	15	111	2XM12X80	2.1
745-20-0168-111	150	166,0 - 170,0	168,3	32	12	190	222	59	15	111	2XM12X80	2.1
745-20-0180-111	175	178,0 - 182,0	180,0	26.7	10	202	234	59	15	111	2XM12X80	2.2
745-20-0200-111	200	198,0 - 203,0	200,0	21.3	8	226	265	89	15	150	2XM14X100	4.2
745-20-0204-111	200	202,0 - 206,0	204,0	21.3	8	230	269	89	15	150	2XM14X100	4.2
745-20-0216-111	200	214,0 - 218,0	216,3	21.3	8	242	281	89	15	150	2XM14X100	4.4
745-20-0219-111	200	216,5 - 221,0	219,1	21.3	8	245	284	89	15	150	2XM14X100	4.4
745-20-0254-111	225	251,0 - 257,0	254,0	21.3	8	280	319	89	15	150	2XM14X100	4.8
745-20-0267-111	250	262,0 - 269,0	267,4	21.3	8	293	332	89	15	150	2XM14X100	5.0
745-20-0273-111	250	270,0 - 276,0	273,0	21.3	8	299	338	89	15	150	2XM14X100	5.0
745-20-0304-111	275	301,5 - 308,0	304,0	18.7	7	330	369	89	15	150	2XM14X100	5.4
745-20-0318-111	300	316,0 - 322,0	318,5	18		345	383	89	15	150	2XM14X100	5.5
745-20-0323-111	300	322,0 - 328,0	323,9	18		350	388	89	15	150	2XM14X100	5.6
745-20-0355-111	350	352,0 - 360,0	355,6	18		382	420	89	15	150	2XM14X100	6.0
745-20-0400-111	400	396,0 - 404,0	400,0	16		426	465	89	15	150	2XM14X100	5.0
745-20-0406-111	400	402,0 - 410,0	406,4	16		432	471	89	15	150	2XM14X100	6.5
745-20-0457-111	450	453,0 - 460,0	457,2	16		483	522	89	15	150	2XM14X100	7.1
745-20-0500-111	500	496,0-504,0	500,0	13		526	565	89	15	150	2XM14X100	6.0
745-20-0508-111	500	504,0 - 512,0	508,0	13		534	573	89	15	150	2XM14X100	7.7
745-20-0558-111	550	555,0 - 563,0	558,8	12		585	623	89	15	150	2XM14X100	8.3
745-20-0609-111	600	605,0 - 614,0	609,6	11		636	674	89	15	150	2XM14X100	8.8
745-20-0616-111	600	612,0-621,0	616,0	11		629	665	89	15	150	2XM14X100	8.0

(1) Work press.(bar): Working pressure for industrial and bases applications: minimum burst pressure is 1,5 x PN. Work press. Marine (bar): Working Pressure for marine application: minimum burst pressure is 4 x PN