



Your Specialist
for valve modification
and repair



Oliver Marek
Managing Director



Dirk Baringhorst
Authorised Signatory

„Our business principle:
to exceed the required standards!“

Welcome

We specialise in the modification
and repair of industrial valves.



We stand by your side!

Our Principles – your advantages:

- We fulfil your requirements with reliable products, expert consultation and precise processing of orders.
- Our systematic approach allows us to meet 100% of your requirements.
- Our solutions are economical and future-proof.
- We gain and keep the trust and recognition of our business partners with the services we provide every day.
- Quality agreements with our customers and suppliers are also binding for all internal processes.
- We meet all legal requirements with regards to environmental protection and work safety.

These principles are the benchmark that we assess ourselves by, on which we base the constant optimisation of our business processes. The prerequisite for this is that all of our employees implement our overall concept in what we do every day.

Consistent internal communication and regular training for our team in state-of-the-art work techniques and technologies ensure that we achieve the goals that we set. In doing so, we create a working environment that enables all employees to tackle the daily challenges that we meet in a motivated and committed fashion.



asa

Armaturen-Service Alms GmbH

Range of Services

- a variety of conversion possibilities for standard valves
- the minimisation of your storage costs
- the complete reconditioning of your used valves
- valve conversion and repair to the highest quality
- short delivery times
- fair prices

A photograph of a building facade with a large, blue, 3D logo that reads 'ASA'. Below the logo, the text 'Anlagen-Service Alms GmbH' is also in blue, 3D lettering. The building is light-colored and the sky is blue with some clouds.

ASA
Anlagen-Service Alms GmbH

Our Expertise – Your Advantages

бн



A solid partner for more than 25 years

Armaturen-Service Alms GmbH was founded in 1984 in Essen and relocated to its current headquarters in Gelsenkirchen in 1988. We have been a faithful and reliable partner for our clients, the majority of whom come from the chemical and petrochemical industries.

With our experienced team of more than 20 employees, we fulfil the many requirements of our clients rapidly and flexibly and save them unnecessary costs for storage. With our semi-automatic testing station, we conduct pressure tests on all of the valves that we work on, which we certify with testing certificates.

We look forward to persuading you with our service.

Get in touch with us!



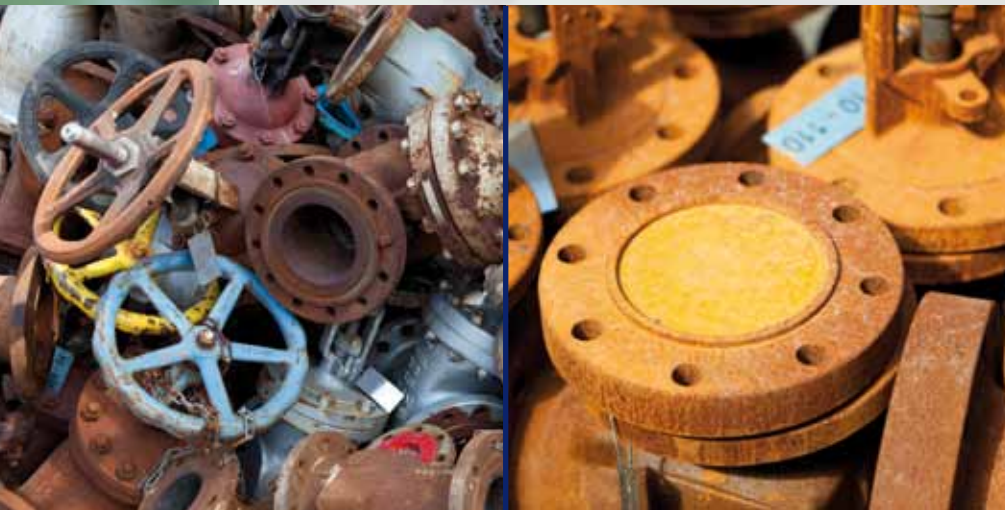
We love challenges

Processes change,
requirements grow,
materials wear down.

Whatever conversion or repair work is required on your valves - we will be on hand to advise you with our many years of experience and will carry out all necessary work reliably and flexibly.

Your advantage:

We have the necessary know-how in both the DIN and ANSI fields.



Our basic principle is the very focus of our activities:

„We want maximum client satisfaction. The expectation of our clients sets the benchmark for us.“



E. MICHN



TREVISAN

DS300/70C

Our Technology – Up-to-Date

We can work on fittings
up to 8" and 300 lbs. in our shop.

All fitting ends can be modified
according to DIN and ANSI standards.



If things get hot,
we keep a
cool head.



Welding means perfection

ASA GmbH is a certified manufacturer and welding operation of valves and valve components on the testing basis of AD 2000 Notice HP0 and DIN EN ISO 3834-2 (EN 729-2).



We master the diversity

Valves perform all kinds of tasks - and the possibilities for their conversion are just as diverse. With our near 30 years of experience, we are ideally equipped to handle any situation and will convert your valves cost-effectively and in a futureproof fashion.





10 - 318



Conversions

A small selection of conversions:

- Fitting valves with heating jackets
- Conversion to check valve with shut-off capability
- Indicator devices
- Refit valves with regulator ball
- Sealing water ports
- Fitting check valves with lever and weight
- Seals
- Insulation caps for cold medium use
- Installation of position switches
- Spindle extensions
- Remote controls for valves
- Installation of sprockets
- Installation of electrical motors and gears
(valves fitted with adapter flanges)
- Valves fitted with butt weld ends or socket weld ends
- Clean air conversion (in accordance with VDI 2440)



Repairs

As a client, you know the services that you can rely on us to provide.



Our repair service is performed with a specified test method.

We are a certified VDI 2440 (TA-Luft) remanufacturer.

No two orders are the same.

Therefore we offer a comprehensive range of specialist services, for example, spindle or handwheel replacement. The scope and costs of the repair will be discussed with you in detail in advance. For valves that can no longer be repaired, the scrap value will be considered payment for disassembly and cleaning.



Service and Installation

No matter when or where -
we'll be there when you need us.

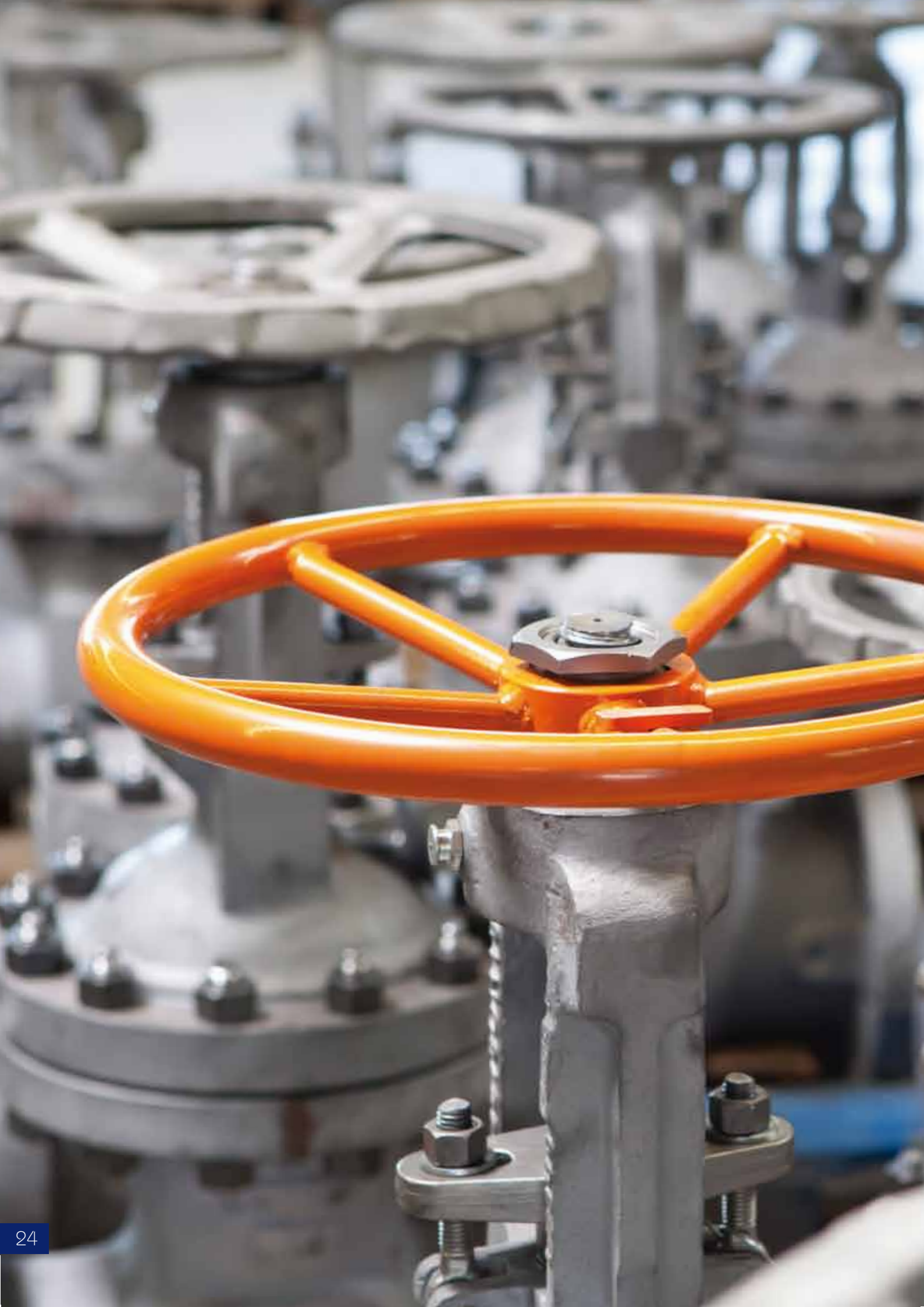
Do you need on-site service?
Then we'll be there!
No distance is too far for our service team.



We are service provider of:







Special Cases

Every problem has a solution.

Let us know and we'll figure it out together!

Do you have a special requirement that seems too difficult to solve at first?

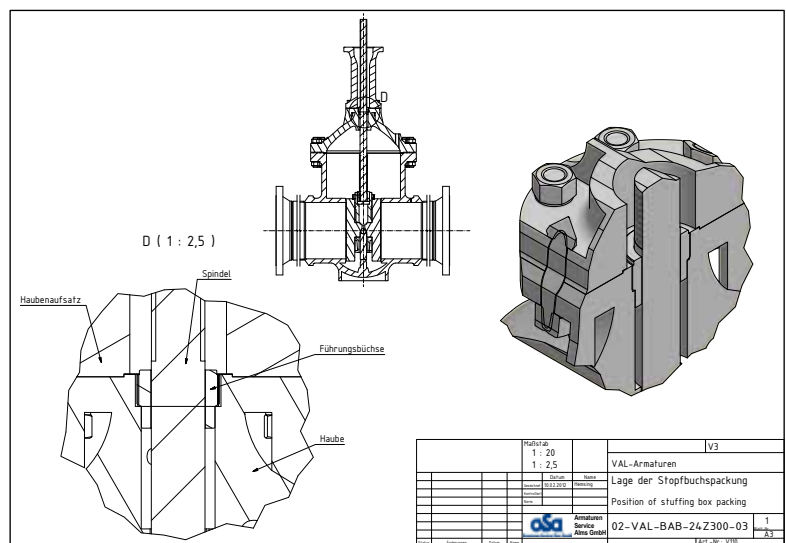
We will provide you with professional advice and develop solutions that will convince you. After all, our team offers what's particularly important for special cases - experience.





Inventor 3D

Contract-related drawings can be created at any time. This helps you understand better what we are proposing and also create better documentation for your records. On request, we can produce drawings for you in either 2-D or 3-D format.



Corrosion?

We can reline or coat the surface as desired.







Quality
is our standard

We are certified according to
DIN EN ISO 9001 : 2008



CERTIFICATE



Management system as per
DIN EN ISO 9001 : 2008

In accordance with TÜV NORD CERT procedures, it is hereby certified that

ASA Armaturen-Service Alms GmbH
Achternbergstraße 14
45884 Gelsenkirchen
Germany



applies a management system in line with the above standard for the following scope

Service, maintenance, modifications and repairing for industrial valves

Certificate Registration No. 04 100 980259
Audit Report No. 3508 6939

Valid until 2014-12-04
Initial certification 1998

G. Bröntigam
Certification Body
at TÜV NORD CERT GmbH

Essen, 2011-12-05

This certification was conducted in accordance with the TÜV NORD CERT auditing and certification procedures and is subject to regular surveillance audits.

TÜV NORD CERT GmbH

Langemarckstrasse 20

45141 Essen

www.tuev-nord-cert.com



TGA-ZM-07-05-00



Hand in hand, ONE TEAM

ASA is a member of AVA Group.
Do you need new valves?
Then AVA is your partner!



ASA is a member of the AVA Group, the leading wholesale distributor of DIN and ASME standard industrial valves in Europe. As a long term exclusive partner of leading manufacturers worldwide, AVA provides industrial fittings on short notice to customers in the chemical and petrochemical industries as well as mechanical engineering and construction.

AVA provides the following services:

Advice & Sales

- Short-notice supply of industrial fittings from its large DIN and ASME standard stocks and German and European regulations such as the Pressure Equipment Directive
- Sales and storage facilities in Germany, the Netherlands, England and Hungary
- Backup branch in Italy
- Sales offices throughout Europe
- Advice on all aspects of industrial valve technology
- Delivery and support of mechanical engineering projects

Quality Management

- ISO 9001:2008 certification
- All manufacturing plants are certified according to DIN EN ISO 9001:2008 and PED and most are also approved per AD2000 HP, AD2000 A4, TA-Luft 2002/VDI2440 and API.
- Test certificates for all products
- Annual manufacturer audits
- Comprehensive testing of incoming goods at our own testing facility (including pressure tests, dimensional checks, material identification tests)
- Documentation

Online product catalogue
www.ava-alm.de





We are certified according to
DIN EN ISO 9001 : 2008

asa

Armaturen-Service Alms GmbH

Achternbergstraße 14

45884 Gelsenkirchen

Germany

Phone +49 209 15550-0

Fax +49 209 15550-299

info@asa-marek.de

www.armaturen-service-alm.de