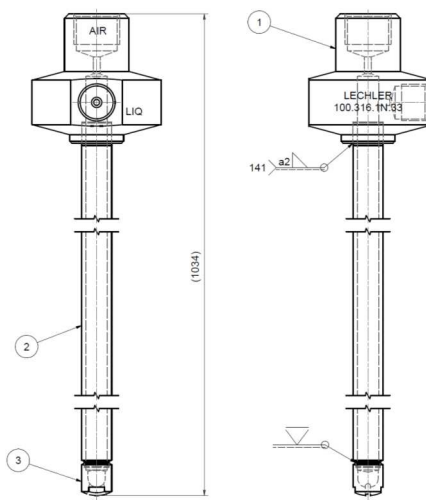
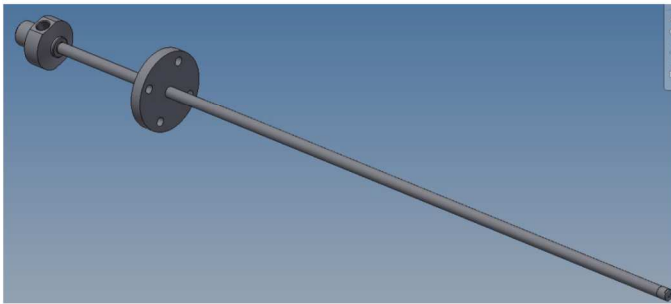


MasterNOx® (100.316.....)

Dedicated for SNCR applications with small access areas for the nozzle and lance - e.g. power plants



Benefits

- Very cost-effective
- Possibility to pass through the boiler pipework
- Wide spray angles available (15°, 30°, 60°)
- Flexible length adjustment
- flow rates from approx. 0,3 – 10 l/min/lance