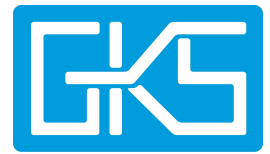


CP 350 PLUS

vertical form, fill and seal machine



EN

GKS Packaging



Inventive simplicity



- Compact and flexible
- Stainless steel; hygienic design
- Robust build quality
- Modular construction
- Allen Bradley PLC and electrical components
- Servo driven film transport for accurate bag length
- Ergonomic film support with film tensioning and brake



www.gkspackaging.com

CP 350 PLUS

vertical form, fill and seal machine

Vertical form, fill and seal machines create bags from a flat film from the reel. The machines are suitable for packing many types of food and non food products.

The CP 350 PLUS has a hygienic design and is constructed out of stainless steel. Together with the open construction it makes the machine very easy to clean. Due to its low height and small footprint the machine is very versatile, both in small production areas as well as in industrial environments.

Besides working with various weighing and dosing systems, the CP 350 PLUS is also very suitable for manual filling.

With its large range in pack sizes (75 up to 350 mm bag width and unlimited bag length) and a capacity up to 40 bags per minute, this machine can be used in a wide variety of packaging situations. In the standard configuration it produces pillow bags. Optionally the machine can also produce self standing bags.

The modular construction guarantees that each module can be exchanged within minutes. This creates a reduction in downtime and costs during maintenance work. Options and components can be retrofitted easily and quickly.

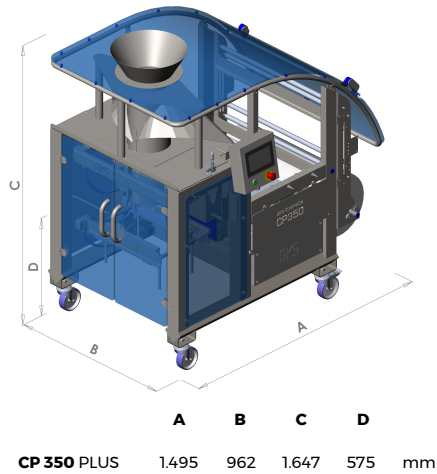
Machine is standard equipped with:

- Stainless steel construction; hygienic design
- Machine safety according to CE regulations
- Allen Bradley PLC with 7" full color touchscreen and 99 programs can be created and stored
- Pneumatic opening and closing of the servo driven film pull belts
- Ergonomic film support with film tensioning and brake
- Cover plate over the entire machine
- Low power and air consumption
- Machine in mobile frame

Options:

- QC-Seal system (LDPE, PP, + Laminated films)
- Air cooling on sealing system
- Euroloch/handgrip sealing system
- Block bottom/gusset mechanism
- Photocel for pre-printed film
- Lateral film guiding system
- End of film detection
- Film splice table
- Vibration unit
- Bag support system
- Connection for gas flushing (MAP)
- Perforation systems
- Printing and labeling systems
- Various weighing and dosing systems
- Customer specific options on request

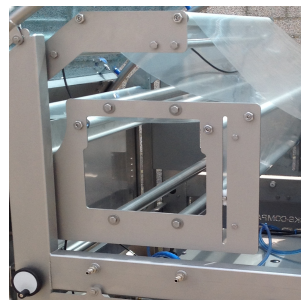
CP 350 CP 350 PLUS



Technical specifications CP 350 PLUS:

Bag width (pillow)	75 - 350 mm
Max. bag length	unlimited mm
Max. bag length per sealing step	230 mm
Max. production speed	40 bags/min
Film thickness	25 - 120 µ
Core diameter	76 (3") mm
Max. film width	750 mm
Max. outer diameter film roll	320 mm
Voltage	230 V, 50/60Hz
Power during production	1.200 Watt
Air consumption	6 bar, 150 ltr/min

All dimensions and specifications are indications based on standard set up. Final details depend on customer specifications



GKS Packaging

Steenoven 18
5626 DK Eindhoven (NL)
+31 (0)40 2095 040
sales@gkspackaging.com

www.gkspackaging.com