

Offering versatile performance and low cost of ownership. The perfect replacement coding solution for labels and flexible films.

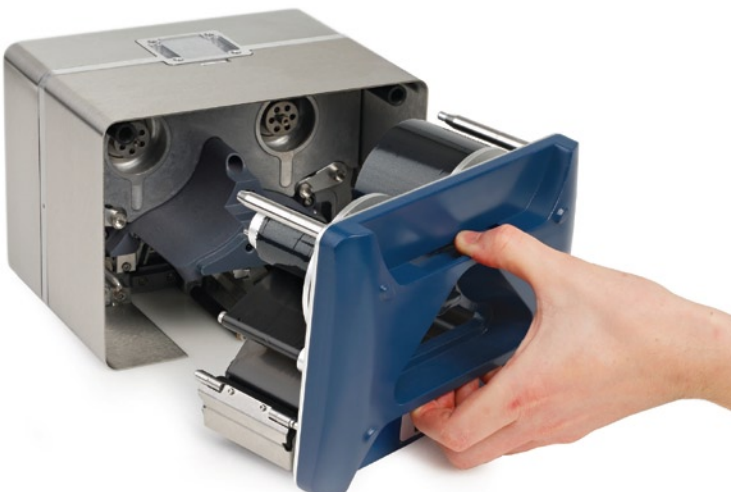


Versatile Performance

- Available in two printhead size options 32mm or 53mm
- Intermittent and continuous modes in the same unit (software controlled)
- Wide print speed range (10 to 750 mm/s subject to application)
- Printing of 300dpi logos, barcodes and text
- USB and ethernet connectivity
- Integrated printhead heater as standard allows for printing at high and low temperatures

Easy to install and retro fit

- Easily retro fitted into existing bracketry due to compact size
- EasyAlign allows for push button electronic printhead alignment without the use of tools or shims
- Quick conversion from left hand to right hand operation or vice versa without any additional parts



Reliable with low cost of ownership

Down time and running costs are minimised by

- Proven dancing arm technology eliminates ribbon breakages
- 4 Ribbon save modes
 - Ribbon economy up to 60% in 1% increments
 - Ribbon retraction
 - Stop mid-print
 - Column mode
- 650m long ribbon rolls (up to 1625m effective length with ribbon economy mode)
- No compressed air required
- Optimised ribbon loading speed through the use of cassettes (Additional cassettes available)

Easy to operate

- User friendly operation with EasyView big button interface
- Graphical images of selected design - WYSIWYG
- On board label creation
- Approved printing ribbons for optimum performance available in 22mm,34mm and 55mm widths



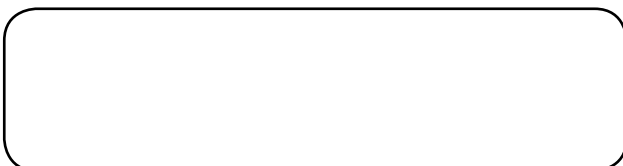
Ribbon economy up to 60%

specifications

thermal transfer printers *compact 32c* *compact 53c*

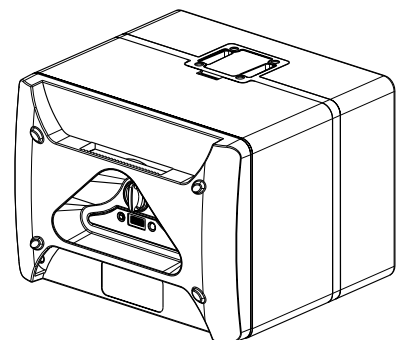
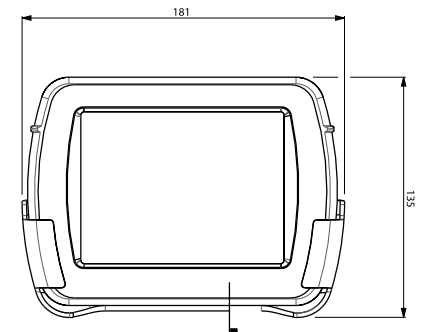
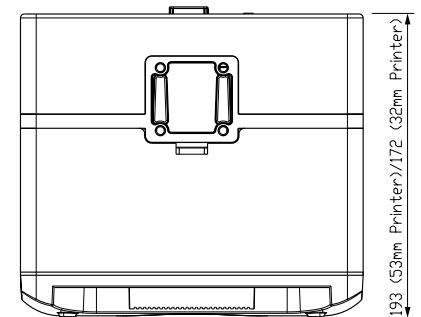
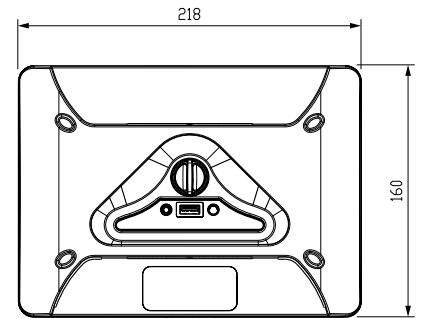
	COMPACT 32C	COMPACT 53C
Printer Unit		
Weight and dimensions	6.9kg 218(W) x 160(H) x 172(D)	7.5kg 218(W) x 160(H) x 193(D)
Print density	300 dpi	
Print speed	Up to 750 mm / second in continuous mode* Up to 6 prints per second in intermittent mode (10mm long print)* *Dependent on message size, substrate, ambient temperature, installation quality and ribbon used	
Print area (intermittent)	32 mm x 55 mm	53 mm x 55 mm
Print area (continuous)	32 mm x 500 mm	53 mm x 500 mm
Character Control	Date code format Offsets Shift codes Serial number generation Most true type fonts Dynamic barcodes 2D codes Database linking Logos and Bitmaps	
Ribbon System		
Ribbon length	650m (up to 1625m effective length with ribbon economy mode)	
Ribbon width	34 mm, 22 mm	55 mm, 34 mm
Ribbon saving	Economy mode variable up to 60% in 1% increments* Retraction mode less than 1 mm gap between prints Column mode Stop mid-print	
Controller		
User interface	Web browsable graphical user interface (GUI) or dedicated browser software Optional Easyprint Compact Touchscreen available with 5.7" full colour display	
Label creation	Onboard and via Easydesign (included)	
Optional compact Touch Screen	5.7" full colour touchscreen (640x480 resolution) Handheld with docking station included 173(W) x 128(H) x 34(D) (excluding docking station)	
Features		
Connectivity	Ethernet / USB x 2 / mini USB (service)	
Alarm outputs	Error, Ready, Warning, Spare (software configurable volt free contacts)	
Accessories	Full range of specific bracketry, bracket adaptors	
Approvals	CE, TUV	
Environment		
Installation	Temperature: 5°C to 40°C Humidity: 20-80%, non condensing	
Electrical	90v - 264v AC 50/60Hz, or 24v DC (+/- 2%) at 5A (if direct)	
Air supply	Not required	

Your partner



epc32c/0611

We reserve the right to change the design or specification of our products without notice. Some of the information contained in this brochure is general in nature, and customers should check that it is applicable to their individual circumstances.



www.easy-print.com